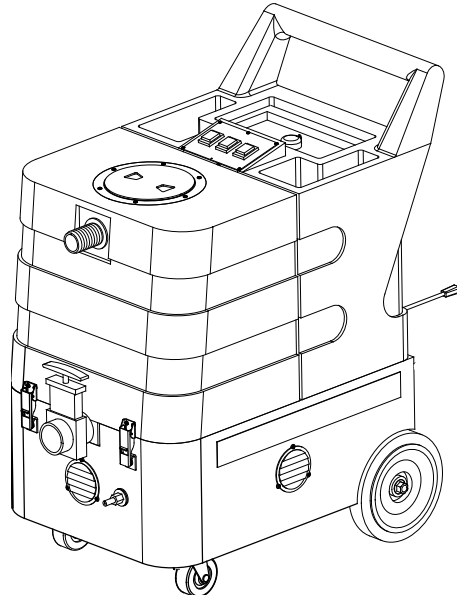


# COBRA<sup>®</sup>-C2-230CEN/A

## OPERATOR'S MANUAL



**DO NOT OPERATE THE MACHINE UNTIL YOU HAVE READ THIS SECTION.  
IMPROPER USE WILL VOID THE WARRANTY.**

- Always use a defoamer when foaming occurs to prevent vacuum motor damage.
- Never use water above 130° F (54°C).
- Do not use outdoors or where temperature is below freezing. Protect your machine from any extremes in temperatures.
- Do not let the pump run dry. Turn the pump off and refill the tank when cleaning solution gets low.
- Flush the machine with an acid de-scaler regularly (monthly or more often) to prevent a build-up of minerals or chemicals in the pump and heat systems. Follow the flush with a clear water rinse to remove any particles and to rinse the acid from the machine.
- Use approved chemicals only. All chemicals should be mixed thoroughly. Liquid chemicals are recommended to prevent powder buildups. A pH between 6 and 9 is recommended. The use of high alkaline detergents or strong acids will accelerate the wear of the pump and seals, and will void the warranty.
- All extension cords must have a rating of at least 12/3 (#12 cord). Extension cords should be no longer than 50 feet. Replace the plug immediately if the ground prong becomes damaged or is broken off.

## INTRODUCTION

This manual will help you get the most from your COBRA-C2 Extractor. Read these instructions thoroughly before operating the machine. This product is intended for commercial use only.

## UNCRATING

When the machine is delivered, carefully inspect the shipping carton and the machine for damage. If damage is evident, save the shipping carton so that it can be inspected. Contact the shipping company immediately for instructions on how to file a freight damage claim.

## SERIAL NUMBER PLATE

The Serial Number of your machine is shown on the plate that is mounted on the floor of the base compartment. This serial number and model are needed when ordering replacement parts for the machine. Use the space below to note the Model and Serial Number of your machine for future reference.

MODEL : COB-C2-230CEN/A SERIAL NUMBER : \_\_\_\_\_

Be sure to go to [www.usproducts.com](http://www.usproducts.com) to register your warranty on-line..

## PARTS AND SERVICE

Call the distributor from whom you purchased your machine when you need parts or service. Please specify the Model and Serial Number when discussing your machine.

## IMPORTANT SAFETY INSTRUCTIONS

This machine is only suitable for commercial use, for example in hotels, schools, hospitals, factories, shops and offices other than normal residential housekeeping purposes.

When using any electrical appliance, basic precautions should always be followed, including the following:

**NOTE:** Read all instructions before using this machine.

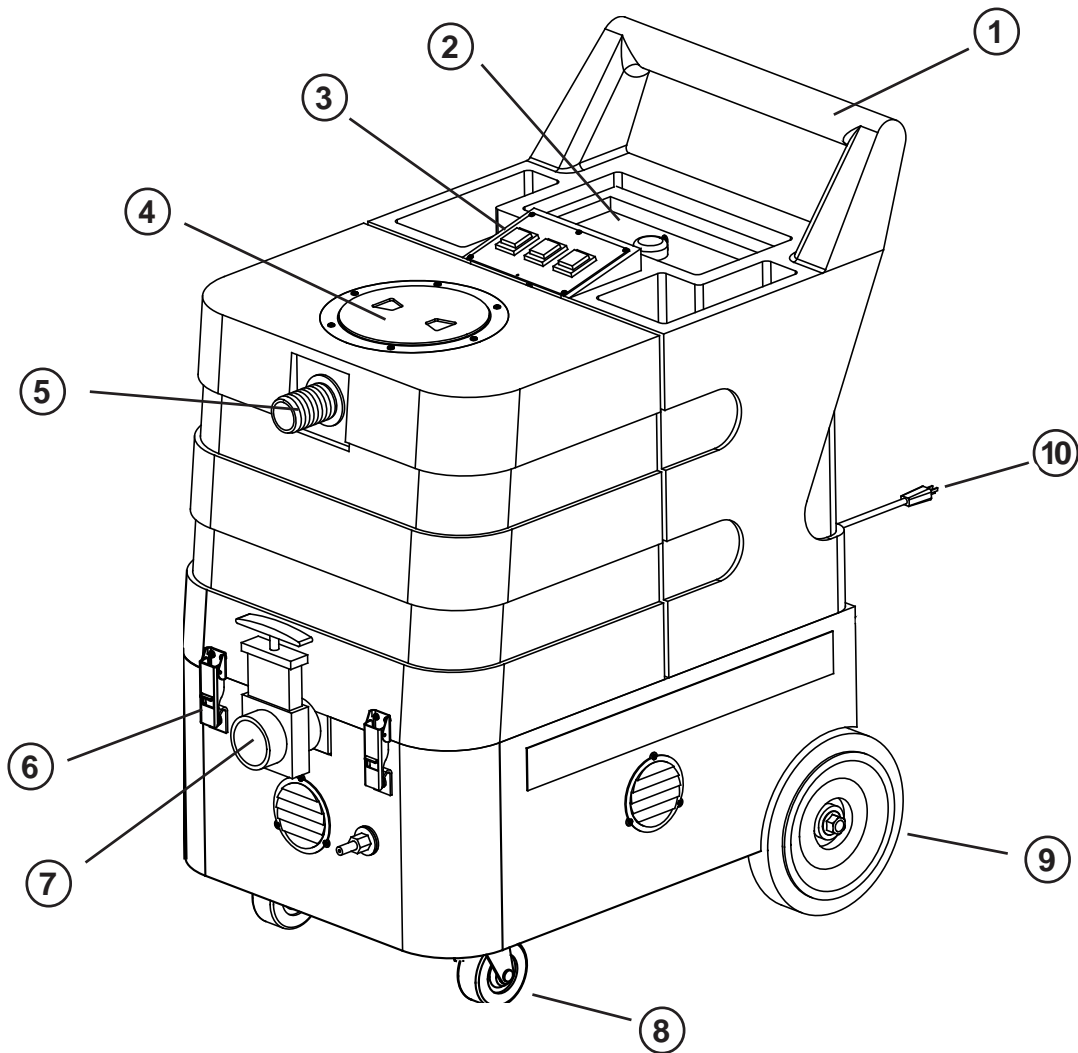


### **WARNING!**

To reduce the risk of fire, electric shock, or injury:

- Do not leave the machine unattended when it is plugged in. Unplug the unit from the outlet when not in use and before servicing.
- To avoid electric shock, do not expose to rain or snow. Store, and use, indoors.
- Do not allow to be used as a toy. Close attention is necessary when used near children.
- Use only as described in this manual. Use only the manufacturer's recommended attachments.
- Do not use with damaged cord or plug. If the machine is not working as it should, has been dropped, damaged, left outdoors or dropped into water, return it to a service center.
- Do not pull by the cord, use the cord as a handle, close a door on the cord, or pull the cord around sharp edges or corners. Do not run the machine over the cord. Keep the cord away from heated surfaces.
- Do not unplug by pulling on the cord. To unplug, grasp the plug, not the cord.
- Do not handle the plug, the cord or the machine with wet hands.
- Do not put any object into openings. Do not use with any opening blocked; keep free of dust, lint, hair, and anything that may reduce air flow.
- Keep loose clothing, hair, fingers, and all parts of body away from openings and moving parts.
- Do not pick up anything that is burning or smoking, such as cigarettes, matches, or hot ashes, or any health endangering dusts.
- Turn off all controls before unplugging.
- Use extra care when cleaning on stairs.
- Do not use to pick up flammable or combustible liquids such as gasoline or use in areas where they may be present.
- Connect to a properly grounded outlet only.
- Liquid ejected at the spray nozzle could be dangerous as a result of its temperature, pressure or chemical content.

## BECOME FAMILAR WITH YOUR NEW EXTRACTOR



### MACHINE DESCRIPTIONS

**Operator Handle (1)** - Operator holds this to move the machine from one location to another.

**Solution Tank Lid (2)** - Fill Solution Tank here with warm water and chemicals.

**Switch Plate (3)** - This is where the switches are located that operate the pump and vacuum.

**Recovery Tank Lid (4)** - The Recovery Tank can be flushed out by running clean water into this opening with the Drain Gate (7) open. The vacuum float Shut-OFF can also be accessed through this opening for maintenance.

**Vacuum Inlet (5)** - This is where the vacuum hose attaches to the machine.

**Latch (6)** - Open the latches to access the base compartment, which contains the motors and heater.

**Drain Gate (7)** - Open this gate to drain the recovered solution out of the machine. Be sure to keep this gate clean.

**Castor (8)** - The castor swivels for easy maneuvering in tight spots.

**Wheel (9)** - Large, non-marking wheels for ease of transport.

**Power Cord (10)** - One 7.5 meter power cords; 3 wire. Do not use if the cord is damaged.

## OPERATION

- 1 Inspect the machine, hoses, and cleaning tools for cleanliness and completeness.
- 2 Fill the Solution Tank with warm water. Using warm water may be a benefit in cleaning effectiveness, but do not use hot water (above 54 °C/130 °F) in the tank. Add liquid cleaning solution with a pH value of between 6 and 9. High pH detergents and/or acid rinses will accelerate the wear of the seals and will void the warranty.
- 3 Plug in the power cord.
- 4 Attach the spray hose to the solution quick disconnect on the front of the machine and attach the vacuum hose to the hose barb on the recovery tank. Attach the other ends of the hoses to the cleaning tool.
- 5 Turn the pump on. Turn the vacuum on. **NOTE:** the pump has a built in pressure switch; the pump runs only when you are spraying.
- 6 Begin cleaning using the correct hoses and tool.
- 7 Use defoamer in the recovery tank any time foaming occurs.
- 8 Monitor the water level in the solution tank. Do not let the pump run dry.
- 9 When the solution tank gets low, turn off the pump, fill the solution tank, empty and clean the recovery tank.
- 10 When finished with the job, remove any unused solution from the solution tank, and run a few gallons of clean water through the system to rinse out any detergent.

### BALL FLOAT VACUUM SHUT-OFF

Prior to using the machine, always check that the float filter is clean and the ball can travel freely. When the recovery tank is full, the ball float will rise and will shut off the vacuum flow to prevent any more water from entering the tank. Turn off the vacuum, and empty the recovery tank.

NOTE: if foam is present or if the ball float is prevented from rising, the float will not be able to stop the air flow, and the tank may over fill.



### CAUTION!

To avoid vacuum motor damage, always make sure the float filter is clean and the ball can travel freely prior to using the machine. And always use a defoamer when foaming occurs.

## MAINTENANCE

	Daily	Monthly	Yearly
FLUSH LINES & PUMP	X		
CLEAN VACUUM FLOAT FILTER	X		
CLEAN SOLUTION FILTER	X		
CHECK INLET AIRWAYS	X		
DESCALE MACHINE		X	
CHECK VACUUM MOTOR BRUSHES			X

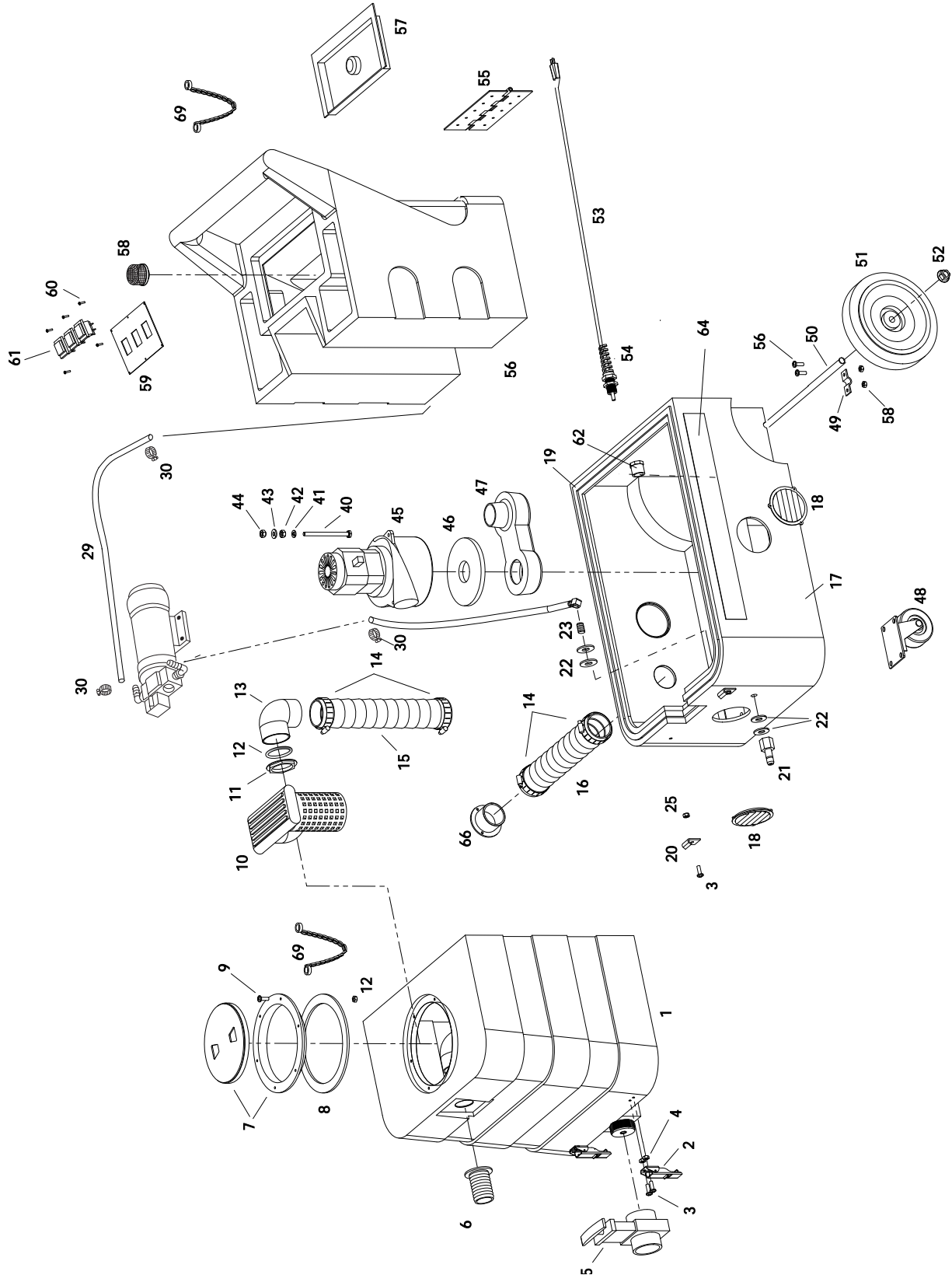
## TROUBLESHOOTING

### IF PROBLEM OCCURS

### CHECK THIS

NO SPRAY	Solution tank is empty Clogged spray tip Pump not running Valve on tool not operating
PUMP DOESN'T RUN	Solution path is clogged. Pump only runs when spraying occurs Solution tank may be empty, or nearly empty No power to pump. Test the switch. Test the pump motor.
PUMP PULSATES	Partially clogged solution path (hose, heater, tool) Worn pressure switch in pump. Adjust pressure sensor in pump head.
LOW SUCTION	Debris plugging cleaning tool or vacuum hose Drain gate is not completely closed, or seals are damaged Internal vacuum hose is cracked Recovery tank lid is not closed, is cracked or gasket is damaged Recovery tank is warped or cracked Debris impeding air movement on vac motor impellers
NO SUCTION	No power to motor. Test the switch. Test the vacuum motor.

***If you are unable to diagnose the problem,  
contact the company from which you purchased your Cobra-C2***



# COBRA-C2-230

March 2007

# COBRA-C2 EXTRACTOR 230V PART LIST

<u>ITEM #</u>	<u>PART #</u>	<u>DESCRIPTION</u>	<u>ITEM #</u>	<u>PART #</u>	<u>DESCRIPTION</u>
#1	VT-26	Recovery Tank	#46	2013	Gasket, vacuum motor
#2	908A	Latch	#47	MA-2	Manifold
#3	21C	Screw, 8-32 X 1.6 cm	#48	2002	Castor, 3"
#4	325	Locknut, 8-21	#49	180	Bracket, axle mount
#5	903D	Drain Gate, female threads	#50	910	Axle
#6	907	Vacuum Inlet Hose Barb, 1-1/2"	#51	2003	Wheel, 8"
#7	2086	Lid, with ring	#52	27A	Axle Cap, wheel retaining
#8	1074	Gasket, for lid	#53	2019	Power cord, 15mm/3 wire, 7.5 m
#9	382C	Screw, 8-32 X 2.5 cm	#54	184	Cord Retainer
#10	FP193	Ball Float, with manifold	#55	917	Hinge
#11	185	Nut, aluminum, 6.45 cm	#56	HT-23	Holding Tank
#12	187	O-ring	#57	901	Lid, solution tank cover
#13	922	PVC Elbow	#58	207A	Filter, pump inlet
#14	156	Hose Clamp	#59	2021A	Switch plate
#15	FP171	Hose, 5 cm X 53.34 cm, ribbed	#60	28	Screw, #4 X 3/8"
#16	430	Hose, ribbed, 55.88 cm long	#61	48G	Switch, SPDT, with cover
#17	BS-6	Base compartment, black	#62	937	Reducer, PVC
#18	928	Louver, includes 3 screws	#63	208	Hose barb
#19	FP228	Gasket, base top edge	#64	2071	Label
#20	909A	Latch strike	#65	399A	Thermostat
#21	45	Quick Disconnect, 1/4 n.p.t.	#66	440	Flange, exhaust
#22	115	Washer, fiber	#69	805	Chain, for lid
#23	92A	Nipple, 1/4 n.p.t.			
#26	91	Elbow, brass, 1/4 n.p.t.			
#27	2012	Hose, 66 cm			
#28	108	Elbow / Hose barb			
#29	925	Hose, pump inlet			
#30	166	Hose Clamp			
#34	2017	Pump, 100 psi, 230V			
#40	270	Bolt, 1/4-20 X 12.7 cm			
#41	137	Washer, split lock			
#42	136	Nut, finish, 1/4			
#43	14	Washer, flat			
#44	17	Locknut, 10-32			
#45	408A	Vacuum motor, 230V			

# COB-C2-230CEN/A

**NOTES:**



208-772-0573 · 800-257-7982 · FAX: 208-772-0577

Coeur d'Alene, Idaho

VISIT US AT: <http://www.usproducts.com>