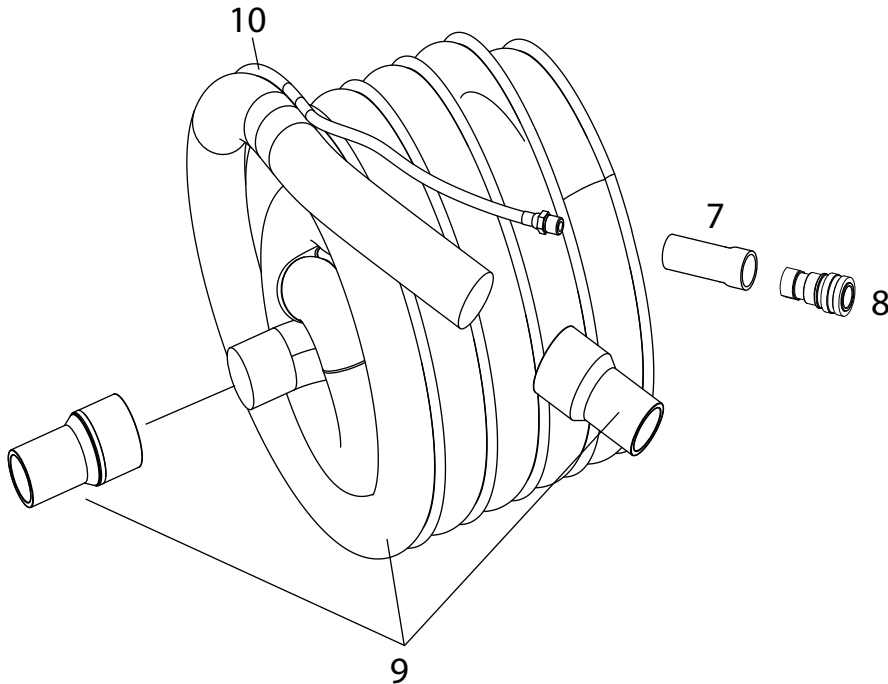
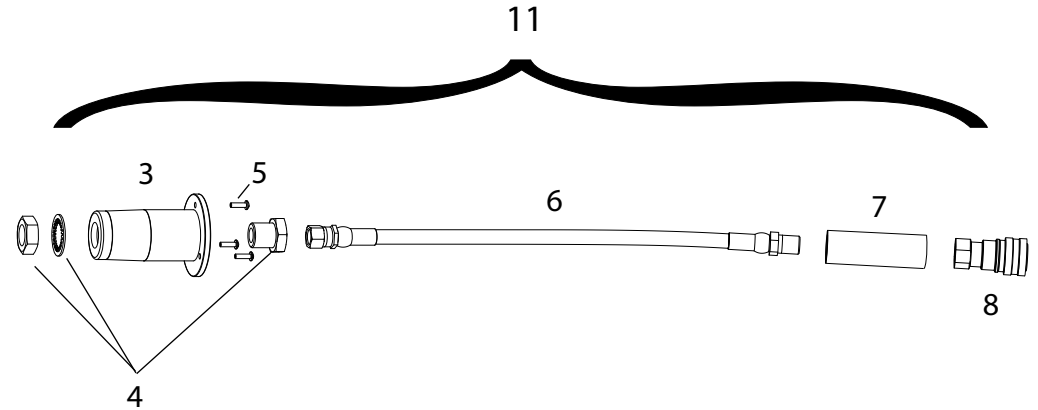
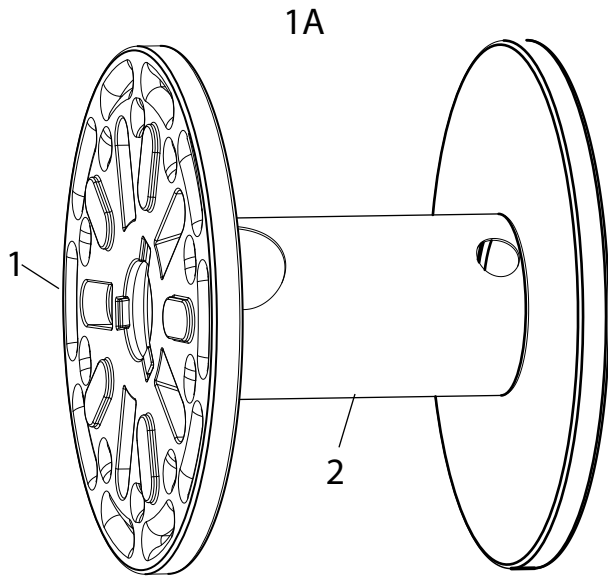


CP HOSE REEL & HOSES



ITEM No.	DESCRIPTION	PART No.
1	Flange, Reel, 14," a pair	1055
1A	Reel Complete, with hoses	FP444
2	Core, Reel, 6" X 9"	1054
3	Swivel Cup	1103
4	Bulkhead Fitting	1098A
5#	Screw Tapping 8 X 5/8 AB Pan	376
6	Hose, Assembly, in Reel	1100A
7	Tubing, 4"	460
8	Quick Disconnect, female	46
9	Hose, Vacuum, with cuffs, 15 ft	919G
10	Hose Assembly, Solution, 15 ft	FP443
11	Hose Assembly, 16" complete	FP442

= Revised or new since last update