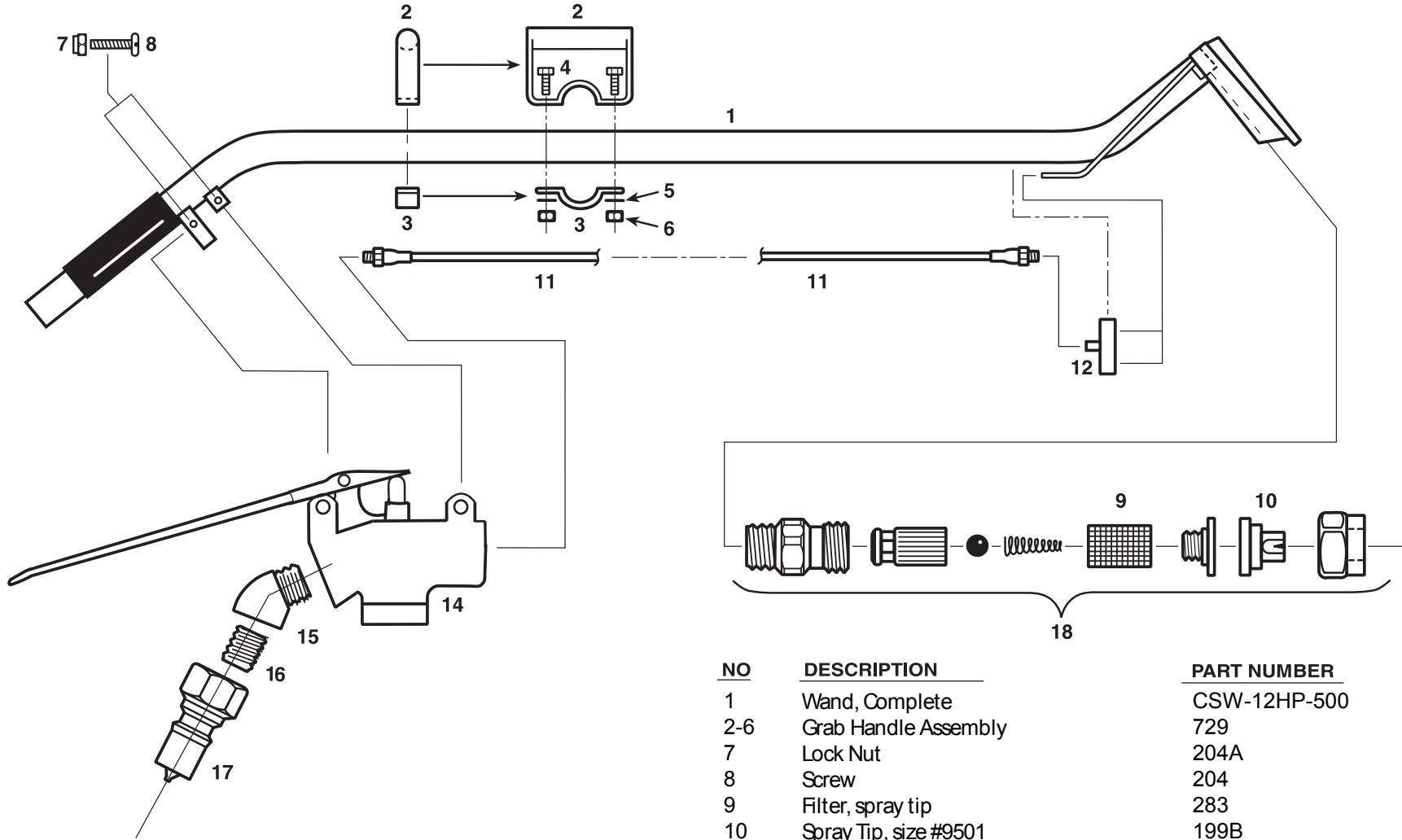


CSW-12HP-500



NO	DESCRIPTION	PART NUMBER
1	Wand, Complete	CSW-12HP-500
2-6	Grab Handle Assembly	729
7	Lock Nut	204A
8	Screw	204
9	Filter, spray tip	283
10	Spray Tip, size #9501	199B
11	Hose, 1/4", and swage assembly	FP202
12	Manifold	700MAN-RD
14	Valve, complete, 1150 PSI	85K
15	Elbow, brass, 45°	140
16	Nipple, brass, 1/4 p.t.	92
17	Quick Disconnect, brass, 1/4 p.t.	45
18	Spray tip assembly	292
	Rebuild kit, valve	85J