

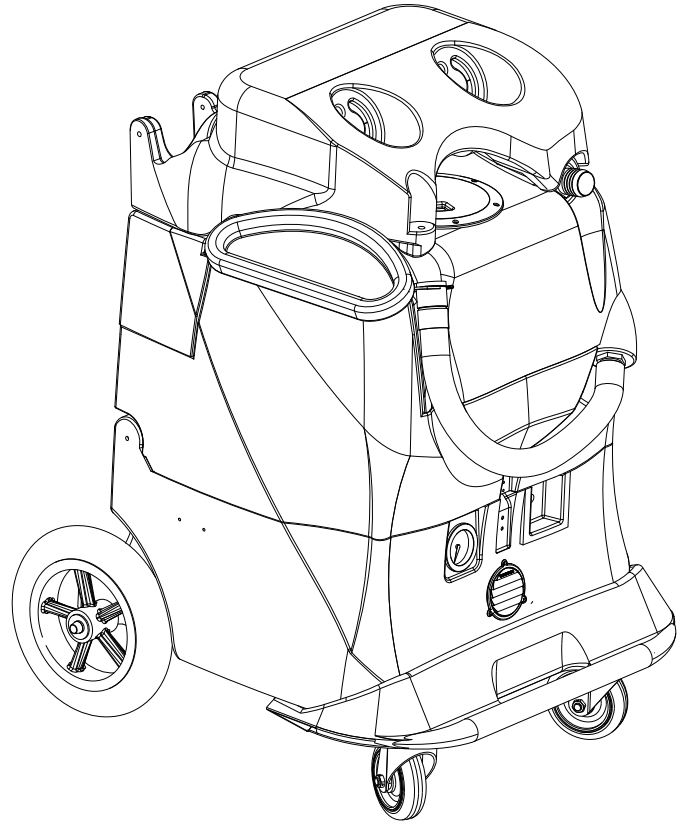
# U.S. PRODUCTS

## Solus<sup>®</sup> 310

### INFORMATION AND OPERATING INSTRUCTIONS

### INFORMACIÓN E INSTRUCCIONES DE USO



### INFORMATION ET DIRECTIVES D'UTILISATION



MODELS: SOLUS-310, 56380568

A-English  
B- Español  
C-Français



 CAUTION: DO NOT OPERATE MACHINE UNTIL YOU HAVE READ  
ALL SECTIONS OF THIS INSTRUCTION MANUAL  
PRECAUCIÓN: NO UTILICE LA MÁQUINA HASTA HABER LEÍDO  
TODAS LAS SECCIONES DE ESTE MANUAL DE INSTRUCCIONES  
ATTENTION : N'UTILISEZ PAS LA MACHINE AVANT D'AVOIR LU  
TOUTES LES SECTIONS DU PRÉSENT MANUEL 

IMPROPER USE OF THE MACHINE WILL VOID THE WARRANTY  
EL USO INCORRECTO DE LA MÁQUINA ANULARÁ LA GARANTÍA  
UNE UTILISATION INCORRECTE DE LA MACHINE ANNULERA LA GARANTIE

## TABLE OF CONTENTS

	Page
<b>Introduction</b> .....	A-3
Parts and Service .....	A-3
Nameplate .....	A-3
Uncrating the Machine.....	A-3
Important Safety Instructions.....	A-4
Grounding Instructions .....	A-5
<b>Know Your Machine</b> .....	A-6 – A-7
Control Panel.....	A-7
 <b>Set-Up and Operation</b> .....	 A-8 – A-9
 <b>After Use</b>	
After Using the Machine .....	A-10
 <b>Maintenance</b>	
Maintenance Schedule .....	A-10
Power Cord Maintenance .....	A-10
Troubleshooting .....	A-11
Technical Specifications .....	A-11
 <b>SECTION II – Parts List</b> .....	 D-1 - D-11
Base Assy.....	D-2 - D-3
Holding Tank Assy .....	D-4 - D-5
Vacuum Tank Assy .....	D-6 - D-7
Plumbing System.....	D-8 - D-9
Water Flow Diagram .....	D-10 - D-11

## INTRODUCTION

This manual will help you get the most from your extractor. Read it thoroughly before operating the machine.

**Note: Bold numbers in parentheses indicate an item illustrated on page A-6 unless otherwise noted.**

This product is intended for commercial use only.

## PARTS AND SERVICE

Repairs, when required, should be performed by your Authorized Service Center, who employs factory trained service personnel, and maintains an inventory of original replacement parts and accessories.

Call for repair parts or service. Please specify the Model and Serial Number when discussing your machine.

## MODIFICATIONS

Modifications and additions to the cleaning machine which affect capacity and safe operation shall not be performed by the customer or user without prior written approval from the manufacturer. Unapproved modifications will void the machine warranty and make the customer liable for any resulting accidents.

## NAMEPLATE

The Model and Serial Number of your machine are shown on the Nameplate. This information is needed when ordering repair parts for the machine. Use the space below to note the Model and Serial Number of your machine for future reference.

Model \_\_\_\_\_

Serial Number \_\_\_\_\_

## UNPACKING THE MACHINE

When the machine is delivered, carefully inspect the shipping carton and the machine for damage. If damage is evident, save the shipping carton so that it can be inspected.

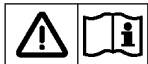
### **WARNING!**

The Products sold with this Manual contain or may contain chemicals that are known to certain governments (such as the State of California, as identified in its Proposition 65 Regulatory Warning Law) to cause cancer, birth defects or other reproductive harm. In certain locations (including the State of California) purchasers of these Products that place them in service at an employment job site or a publicly accessible space are required by regulation to make certain notices, warnings or disclosures regarding the chemicals that are or may be contained in the Products at or about such work sites. It is the purchaser's responsibility to know the content of, and to comply with, any laws and regulations relating to the use of these Products in such environments. The Manufacturer disclaims any responsibility to advise purchasers of any specific requirements that may be applicable to the use of the Products in such environments.

## IMPORTANT SAFETY INSTRUCTIONS

This machine is only suitable for commercial use, for example in hotels, schools, hospitals, factories, shops and offices other than normal residential housekeeping purposes.

When using any electrical appliance, basic precautions should always be followed, including the following:



**NOTE:** Read all instructions before using this machine.

### **WARNING!**

To reduce the risk of fire, electric shock, or injury:

- Do not leave the machine unattended when it is plugged in. Unplug the unit from the outlet when not in use and before servicing.
- To avoid electric shock, do not expose to rain or snow. Store, and use, indoors.
- Do not allow to be used as a toy. Close attention is necessary when used near children.
- Use only as described in this manual. Use only the manufacturer's recommended attachments.
- Never add water over 130° F/54° C to the solution tank.
- Do not use with damaged cord or plug. If the machine is not working as it should, has been dropped, damaged, left outdoors or dropped into water, return it to a service center.
- Do not pull by the cord, use the cord as a handle, close a door on the cord, or pull the cord around sharp edges or corners. Do not run the machine over the cord. Keep the cord away from heated surfaces. To unplug, grasp the plug, not the cord.
- Do not handle the plug, the cord or the machine with wet hands.
- Extension cords must be 12/3 and no longer than 50 feet. Replace the cord or unplug immediately if the ground prong becomes damaged.
- Do not put any object into openings. Do not use with any opening blocked; keep free of dust, lint, hair, and anything that may reduce air flow.
- Keep loose clothing, hair, fingers, and all parts of body away from openings and moving parts.
- Do not pick up anything that is burning or smoking, such as cigarettes, matches, or hot ashes, or any health endangering dusts. Do not use to pick up flammable or combustible liquids such as gasoline or use in areas where they may be present.
- Turn off all controls before unplugging.
- Use extra care when cleaning on stairs.
- Connect to a properly grounded outlet only.
- Liquid ejected at the spray nozzle could be dangerous as a result of its temperature, pressure, or chemical content.
- Never let the machine or wand freeze.
- Always read chemical MSDS sheets before use.

**SAVE THESE INSTRUCTIONS**

## 120VAC GROUNDING INSTRUCTIONS

This appliance must be grounded. If it should electrically malfunction, grounding provides a path of least resistance for electric current to reduce the risk of electric shock. This appliance is equipped with a cord having an equipment-grounding conductor and grounding plug. The plug must be plugged into an appropriate outlet that is properly installed and grounded in accordance with all local codes and ordinances.

### DANGER!

Improper connection of the equipment-grounding conductor can result in a risk of electric shock. Check with a qualified electrician or service person if you are in doubt as to whether the outlet is properly grounded. Do not modify the plug provided with the appliance. If it will not fit the outlet, have a proper outlet installed by a qualified electrician.

This appliance is for use on a nominal 120-volt circuit, and has a grounding plug that looks like the plug illustrated in Figure 1 below. A temporary adapter illustrated in Figures 2 and 3 may be used to connect this plug to a 2-pole receptacle as shown in Figure 2 if a properly grounded outlet is not available. The temporary adapter should be used only until a properly grounded outlet (Figure 1) can be installed by a qualified electrician. The green-colored rigid ear, tab, or the like extending from the adapter must be connected to a permanent ground such as a properly grounded outlet box cover. Whenever the adapter is used, it must be held in place by a metal screw. Grounding adapters are not approved for use in Canada.

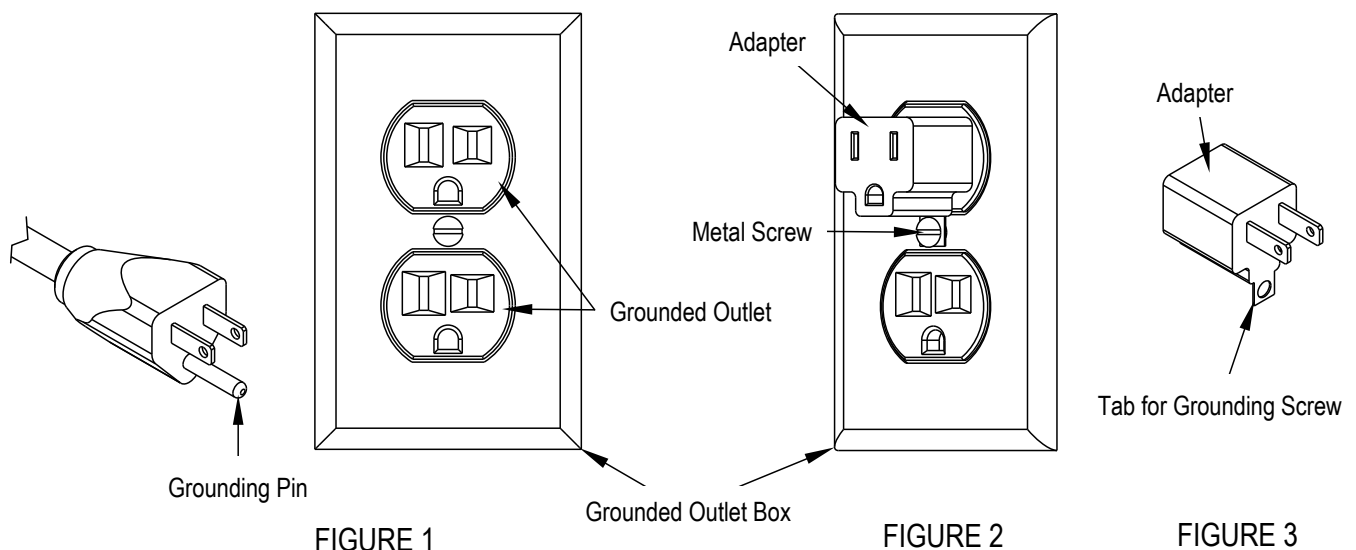
Replace the plug if the grounding pin is damaged or broken.

The Green (or Green/Yellow) wire in the cord is the grounding wire. When replacing a plug, this wire must be attached to the grounding pin only. Extension cords connected to this machine should be 12 gauge, three-wire cords with three-prong plugs and outlets. DO NOT use extension cords more than 50 feet (15 m) long.

### WARNING!

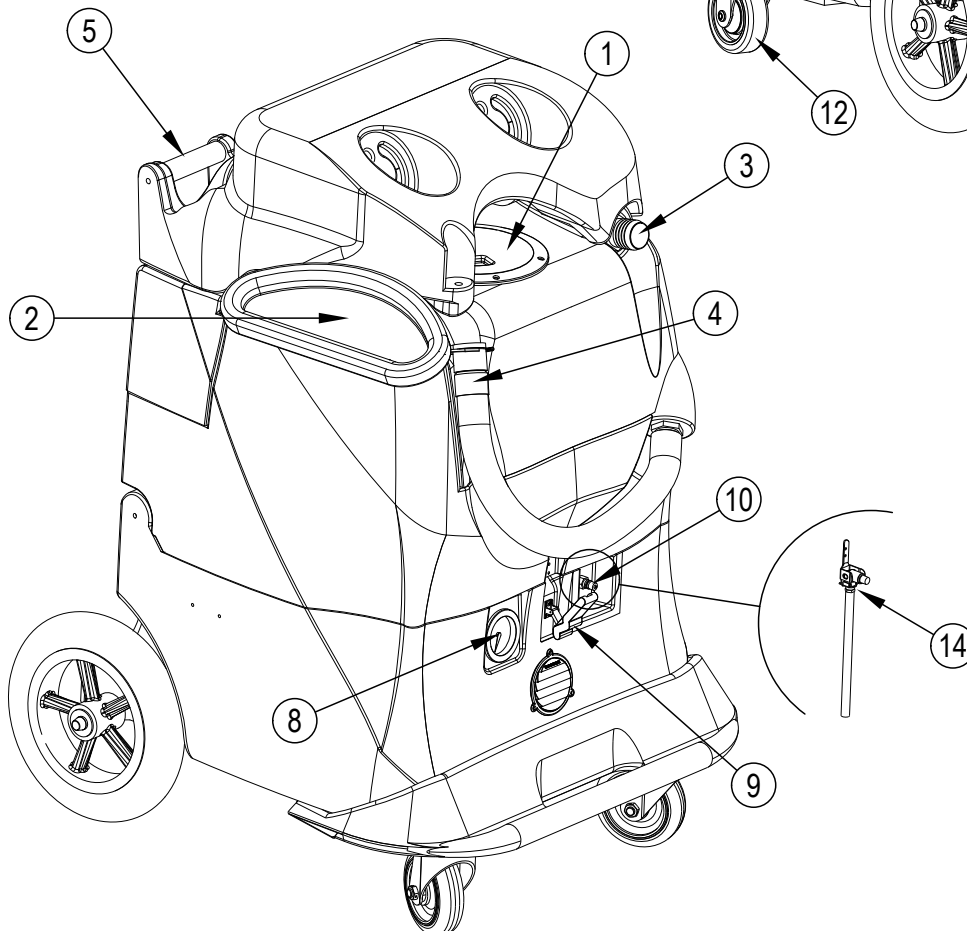
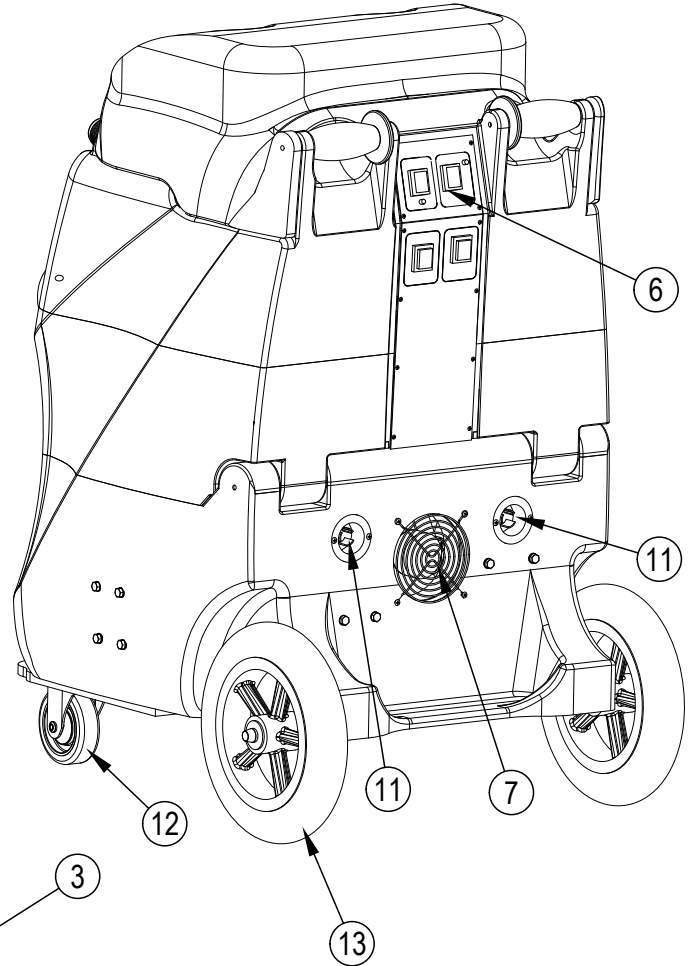
- If an extension cord is used, the plug and socket must be of watertight construction.
- Inadequate extension cords can be dangerous.

PLEASE NOTE: FOR NORTH AMERICA ONLY



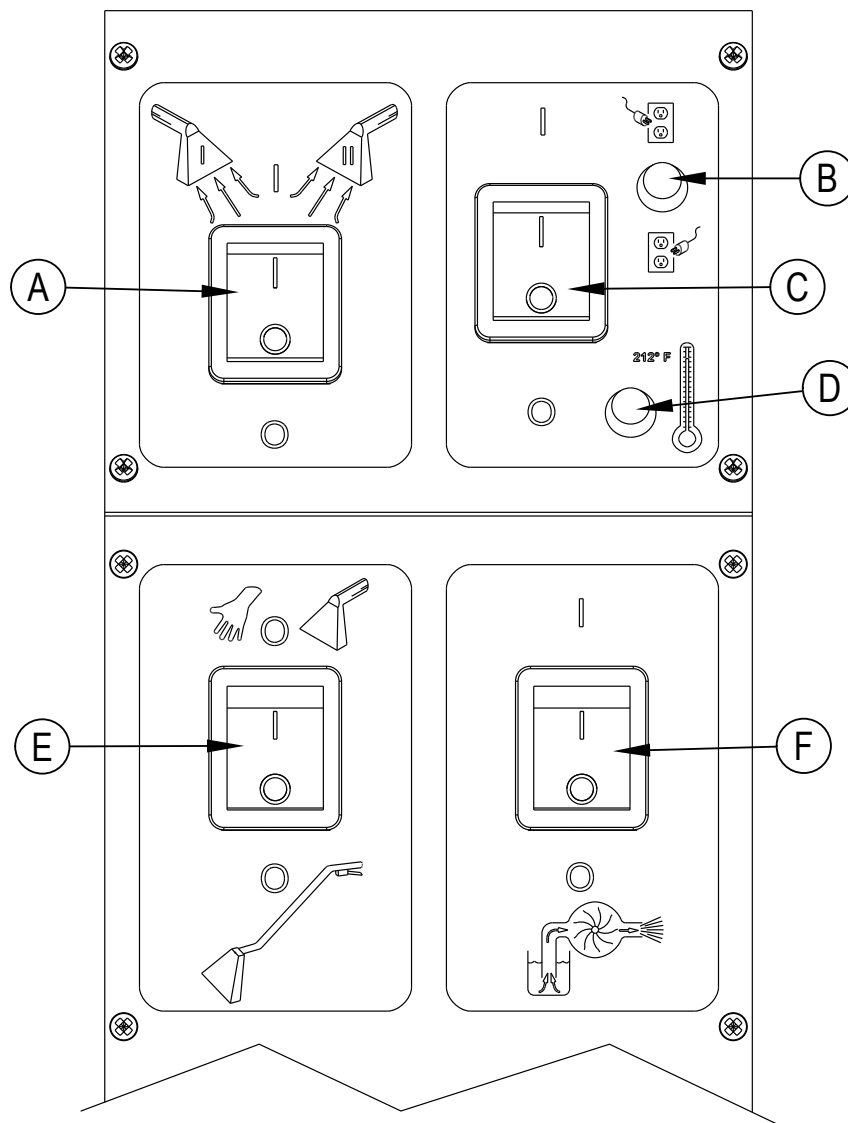
## KNOW YOUR MACHINE

- 1 **VACUUM LID** - This lid provides access into your recovery tank so that you can clean the tank. The lid must be closed before you try to clean.
- 2 **SOLUTION TANK FILL HOLE** - This is where you fill the tank with water and cleaning solution.
- 3 **VACUUM HOSE BARB** - This is where you connect your vacuum hose to the machine. A tight connection is necessary to prevent a vacuum leak which would reduce the amount of suction.
- 4 **DRAIN HOSE** - This is how you empty the dirty water from your recovery tank. Place the hose over a drain, and open the cap. When cleaning out the tank at the end of a job, simply place this hose into a drain and use clean water to rinse out the dirt and debris from the tank. **NOTE:** be sure to close the cap tightly before using the machine again.
- 5 **HANDLES** - The handles are used to move the machine. These handles allow you to tilt the machine back onto its 12" wheels for easy maneuvering, and/or for moving on stairways.
- 6 **SWITCH PLATE** - The switches are located on the rear of the machine, out of the way of water.
- 7 **FAN** - Removes warm air from the component compartment.
- 8 **PSI GAUGE** - indicates the pump pressure. Look at the pressure while you spray.
- 9 **LATCH** - The latch holds together the tank and the base compartment.
- 10 **SOLUTION HOSE QUICK CONNECT** - This is where you connect the solution line that runs from the machine to the carpet wand or hand tool.
- 11 **POWER CORD RECEPTACLES** - The receptacles are where the two power cords connect to the machine.
- 12 **CASTOR** - Swivel castor provides easy maneuverability.
- 13 **WHEEL** - The rear wheels are 12 inches in diameter to provide superior ease of transportation and stair climbing.
- 14 **PRESSURE RELIEF VALVE** - Used to relieve pressure in the line before connecting tools.



## CONTROL PANEL

- A VACUUM SWITCH:** This switch will illuminate when the vacuum motors are on. The vacuum motors run off of cord #1.
- B SEPARATE CIRCUIT LOCATOR LIGHT:** When this light is on, it indicates that cord #2 (Identified by the red "H" on the back of the extractor.) is on a separate line from cord #1. Cord #2 supplies voltage to the heater allowing it to heat to the temperature range indicated by the Heat Control dial (#1) on the switch plate.
- C BYPASS SWITCH:** The bypass switch will illuminate when it is activated and will completely bypass the circuit locator system. Use this system only when the circuit locator light will not turn on and you know each cord is on a separate circuit. **NOTE: THE CIRCUIT BREAKER CAN TRIP IF BOTH CORDS ARE ON THE SAME CIRCUIT AND THE BYPASS (heat) SWITCH IS TURNED ON.**
- D HEAT MODE LIGHT:** This light will only illuminate when the heater is heating and will turn off when it reaches operating temperature. During normal operation, the "MODE" light will be on most of the time.
- E CARPET UPHOLSTERY SWITCH:** This rocker switch activates a solenoid valve - when it is turned to Upholstery - that allows most of the pump pressure to recirculate back to the Holding tank. This allows you to clean delicate material at low psi (about 75 psi). When the switch is set to Carpet, the pump operates without the solenoid and provides about 300 psi to the cleaning tool. The pump runs off of cord #1. The pump spraying pressure will be observable at the pressure gauge. This switch does not light up.
- F PUMP ON/OFF SWITCH:** This switch turns the pump on and off. It will light up when it is turned on.



## SET-UP AND OPERATION

### CAUTION!

Use care when handling hazardous chemicals.

Never leave the machine running when you are not actively using it.

To avoid vacuum motor damage, always make sure the float filter is clean and that it can travel freely before you operate the machine. Always use a defoamer any time foam is present.

### DANGER!

Do NOT use solvents, or any chemicals that may be flammable, explosive or combustible.

### CLEANING SOLUTIONS:

Select a proper pre-spray for the surface to be cleaned, and apply the pre-spray. Use a neutral pH rinse or detergent (6 to 10 pH) in the Unit to prevent premature wear of the pumps, seals, and other components. Damage caused by the use of improper or strong chemicals is not covered by warranty. Powdered chemicals are not recommended.

1. Fill the holding tank (2) with clear water and pre-spray with the detergent of your choice (we recommend a CRI approved chemical). Mix well. Although this machine is designed to supply instant hot water, the addition of warm water to the holding tank would increase heater efficiency. Never use water above 130° F/54° C in the solution tank.
2. Turn off all the switches. Plug in cord #1. (This cord runs the pump and vacuum).
3. Attach the priming hose to the Solution Hose Quick Connect (10) and place the open end into the vacuum tank.
4. Turn on the Pump (F) and let it run until the pump is fully primed (approximately 30 seconds to 1 minute). Once the pump is primed, turn off the pump and disconnect the priming hose. Attach the cleaning hose (3 & 10) and tool.

### IF YOU WANT HEATED SOLUTION:

5. Plug in the heater cord (identified by "H" on the back of the machine). **NOTE:** If the Separate Circuit Locator Light (B) does not illuminate when the heater cord is plugged in, then both cords are on the same circuit. Try other outlets until the light comes on. See Bypass Switch section (below) if you are unable to get a green light.
6. Turn on the pump (F) and spray through your tool a few times to fill the lines with solution. Begin cleaning.
7. Refill and empty the tanks as necessary.
8. When finished with the job, vacuum all unused solution into the recovery tank, and dump the tank. Clean the tanks and filters. Clean the tool and hoses. Store the machine in a heated location.

## SEPARATE CIRCUIT LOCATOR

This unique, patented "smart system," operated by a solid state circuit, will inform the operator when the two cords are plugged into separate lines by illuminating the green, indicator light. This helps prevent tripping circuit breakers.

### BYPASS SWITCH

The Bypass Switch (C) completely bypasses the separate circuit locator system. Use this feature when you cannot get the green Circuit Locator (B) to come on and you believe that the two cords are on separate circuits.

### CAUTION:

If the bypass switch is on when the two cords are plugged into the same circuit, the breaker in the wall panel may trip.

### AUTO VACUUM SHUTOFF

When the recovery tank is full, the float system will shut off the vacuum motor to prevent the machine from overflowing. The float may not work in foam. Always use a defoamer to prevent overflow. Once the vacuum motor shuts off, the Vacuum Switch (A) must be turned off, the recovery tank emptied, and then the vacuum switch turned back on (up position) to get the vacuum motor started again.

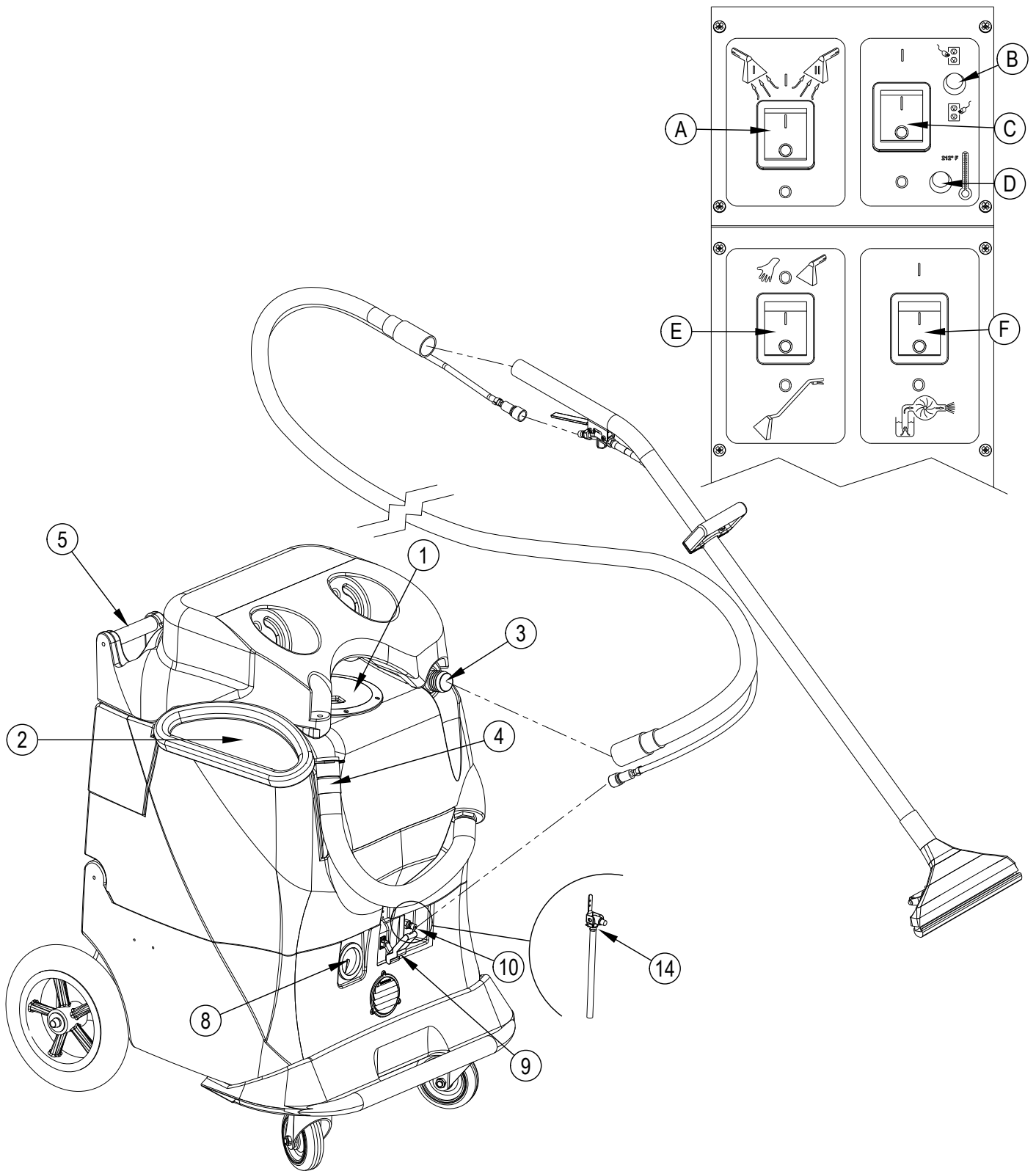
### CAUTION:

Always make sure the float is clean and travels freely before turning on the machine. A float that is stuck will cause the vacuum motor to suck in water, resulting in vac motor damage.

### PUMP PRESSURE:

Make sure the cleaning tool is spraying when adjusting the pressure, otherwise the pressure reading will be inaccurate.





## AFTER USING THE MACHINE

- 1 To empty the Holding Tank, vacuum out all unused solution into the recovery tank using the vacuum hose. Rinse the tank with clean water.
- 2 Turn all the Power Switches (**A, C, E & F**) to OFF (O). Unplug the Power Cords.
- 3 To empty the recovery tank, loosen the Velcro strap retaining the Recovery Tank Drain Hose (**4**). Direct the hose to a designated waste water "DISPOSAL SITE" and remove the plug (hold the end of the hose above the water level in the tank to avoid sudden, uncontrolled flow of waste water). Rinse the tank with clean water. Inspect the drain hose; replace if kinked or damaged.
- 4 Remove the pre filter bag from the Vacuum Inlet (**3**). Empty and rinse the pre filter and reinstall.
- 5 Disconnect the solution and vacuum hoses from the machine, at the Solution Hose Quick Connect (**10**) and Vacuum Hose Connection (**3**) respectively. Flush the vacuum hose with warm water to wash any debris out of the vacuum hose and cleaning tool. Inspect them for damage.
- 6 Wipe the machine with a damp cloth. Do not use abrasive chemicals or solvents.
- 7 Perform any required maintenance before storage.

## MAINTENANCE SCHEDULE

MAINTENANCE ITEM	Daily	Weekly	Yearly
Check / Clean Tanks & Hoses	•		
Check / Clean Recovery Tank Shut-Off Float	•		
Clean Extraction Wand/Tool	•		
Inspect & Clean Solution Filters		•	
Check Carbon Brushes			•



## IMPORTANT!

Motor damage resulting from failure to service the carbon brushes is not covered under warranty. See the Limited Warranty Statement.

- 8 Store the machine indoors in a clean, dry place with the recovery tank lid open. Keep from freezing.

## POWER CORD MAINTENANCE

Once a week (or more often if necessary), check the power cords for cracked or damaged insulation, exposed wires in the cord or plug, and damaged or missing ground pin. Repair or replace damaged cord or plug **immediately**.

## MAINTENANCE:

For optimum performance, flush the machine with clear water at the end of each working day. Once a month, minimum, run a flushing compound through the machine to break up any mineral or chemical build-up that may have formed. The vacuum motor, pump motors, and the pumps do not require any scheduled maintenance; however, the motors may require replacement brushes after 1000 - 1500 hours, and the pump and bypass valve may require rebuild kits after 500 -1500 hours (refer to machine part list for numbers). Clean the body with an all purpose detergent, and protect it with an automobile interior polish. Lubricate the wheels, castors, and quick disconnects with an all purpose silicone spray.

**TROUBLESHOOTING**

<b><u>IF THIS OCCURS</u></b>	<b><u>CHECK THIS</u></b>
NO SPRAY	Solution tank is empty. Clogged spray tip. Pump not running or not primed. Valve on wand not operating.
PUMP DOES NOT RUN	Check the brushes in the pump motor. Replace if necessary. No power to pump. Test the Motor Speed Control Circuit Board.
LOW SUCTION	Debris is plugging cleaning tool or vacuum hose. Drain gate is not completely closed, or seals are damaged. Vacuum lid is not seated or is damaged.
NO SUCTION	No power to motor. Test the Electronic Float. Test the switch. Test the vacuum motor. Test the Vacuum Circuit Board. Check pre filter bag for debris.
LOW HEAT	Spraying too long. Try spraying for 12-15 seconds, or about three strokes. Heat exchanger needs to be flushed. Wrong tool being used. Too much water passing through. Longer hose or larger diameter hose, than standard.
NO HEAT	Heat is not turned on. Either the green light must be on or the bypass switch must be turned on. No power in the wall outlet - check to see if the breaker has tripped. No power to the bypass switch - check wiring for "opens." No power out of bypass switch, follow troubleshooting steps to isolate the problem. <b>CALL YOUR DISTRIBUTOR FOR ADDITIONAL HELP.</b>

**TECHNICAL SPECIFICATIONS (as installed and tested on the unit)**

<b>Model</b>	<b>Solus 310</b>
Model No.	SOLUS-310 / 56380568
Roto-molded Body	Lifetime Warranty
Vacuum	Two 5.7", 2-stage
VAC Shutoff	Electronic
Pump	Positive displacement, select upholstery or carpet
Waterlift	86" -- 200 CFM
Heat	up to 212° F
Heater	2000 Watts
Wand	Stainless steel, double bend, twin tip
Weight	115 lbs.
Dimensions	24W x 28L x 41H (inches)

## ÍNDICE

	Página
<b>Introducción</b> .....	B-3
Componentes y servicio .....	B-3
Placa de identificación.....	B-3
Desembalaje de la máquina .....	B-3
Instrucciones importantes de seguridad.....	B-4
Instrucciones de conexión a tierra.....	B-5
<b>Conozca su máquina</b> .....	B-6 – B-7
Panel de control.....	B-7
 <b>Configuración y operación</b> .....	 B-8 – B-9
 <b>Después de la utilización</b>	
Después de la utilización de la máquina .....	B-10
 <b>Mantenimiento</b>	
Programa de mantenimiento .....	B-10
Mantenimiento del cable de alimentación .....	B-10
Resolución de problemas .....	B-11
Especificaciones técnicas.....	B-11
 <b>SECCIÓN II – Lista de piezas</b> .....	 D-1 - D-11
Conjunto de base .....	D-2 - D-3
Conjunto del depósito de retención.....	D-4 - D-5
Conjunto del depósito de aspiración .....	D-6 - D-7
Sistema de conducciones.....	D-8 - D-9
Diagrama del flujo de agua.....	D-10 - D-11

## INTRODUCCIÓN

Este manual lo ayudará a obtener el máximo rendimiento de su extractor. Léalo con atención antes de utilizar la máquina.

**Nota: Los números que aparecen en negrita entre paréntesis indican elementos ilustrados en la página B-6, a menos que se indique lo contrario.**

Este producto está destinado exclusivamente al uso comercial.

## COMPONENTES Y SERVICIO

Las reparaciones, cuando sean necesarias, deben ser realizadas por su Centro Autorizado de Servicio, que utiliza personal de servicio formado en fábrica y lleva un inventario de las piezas de repuesto y accesorios originales.

Llame para lo referente a piezas de repuesto y servicio. Por favor, especifique el modelo y el número de serie cuando hable de su máquina.

## MODIFICACIONES

El cliente o usuario no deberá realizar modificaciones o agregados a la máquina limpiadora que afecten la capacidad y la operación segura sin la autorización previa por escrito del fabricante. Las modificaciones sin autorización anularán la garantía de la máquina, y el cliente será responsable de cualquier accidente que resulte.

## PLACA DE IDENTIFICACIÓN

El modelo y número de serie de la máquina se indican en la placa de identificación. Esta información es necesaria a la hora de solicitar repuestos para la máquina. Utilice el siguiente espacio para anotar el modelo y el número de serie de su máquina para futuras consultas.

Modelo \_\_\_\_\_

Número de serie \_\_\_\_\_

## DESEMBALAJE DE LA MÁQUINA

Cuando reciba la máquina, examine con atención el cartón de embalaje y la máquina, con el fin de comprobar si existe algún daño. Si observa algún daño, guarde la caja de embalaje para que se pueda inspeccionar.

## ¡ADVERTENCIA!

Los Productos a la venta con este Manual contienen, o pueden contener, productos químicos reconocidos por algunos gobiernos (como el Estado de California, según lo indica en su Proposición 65, Ley de Advertencia Regulatoria) como causantes de cáncer, defectos de nacimiento u otros daños reproductivos. En algunas jurisdicciones (incluido el Estado de California), los compradores de estos Productos que los coloquen en servicio en un emplazamiento laboral o en un espacio de acceso público tienen la obligación regulatoria de realizar determinados avisos, advertencias o divulgaciones respecto de los productos químicos contenidos o posiblemente contenidos en los Productos utilizados en tal lugar. Es la responsabilidad del comprador conocer y cumplir con todas las leyes y reglamentaciones relacionadas con el uso de estos Productos en tales entornos. El Fabricante niega toda responsabilidad de informar a los compradores sobre requisitos específicos que pueden regir el uso de los Productos en tales entornos.

## INSTRUCCIONES IMPORTANTES DE SEGURIDAD

Esta máquina es apta únicamente para su uso comercial, por ejemplo, en hoteles, colegios, hospitales, fábricas, tiendas y oficinas, y no para la limpieza diaria del hogar.

Cuando utilice un aparato eléctrico, se deben respetar las precauciones básicas, incluidas las siguientes:



**NOTA:** lea todas y cada una de las instrucciones antes de utilizar la máquina.

### ¡ADVERTENCIA!

Para reducir el riesgo de incendios, descargas eléctricas o lesiones:

- No abandone la máquina mientras esté enchufada. Cuando no la esté utilizando o antes de realizar el servicio, desenchúfela.
- Para evitar descargas eléctricas, no la deje expuesta a la lluvia ni a la nieve. Guárdela y úsela en lugares cubiertos.
- No permita que se utilice como juguete. Es necesario prestar mucha atención si se la usa cerca de niños.
- Utilice sólo de la manera descrita en este manual. Utilice únicamente los accesorios recomendados por el fabricante.
- Nunca agregue agua a una temperatura superior a 130° F/54° C al depósito de solución.
- No utilice si observa daños en el cable o el enchufe. Si la máquina no funciona correctamente, se ha caído, ha sufrido daños, se ha dejado a la intemperie o ha caído al agua, acuda a un centro de servicio.
- No tire del cable ni lo utilice a modo de asa, evite que el cable quede atrapado al cerrar una puerta y no tire de él contra bordes afilados ni esquinas. No haga pasar la máquina por encima del cable. Mantenga el cable alejado de superficies calientes. Para desenchufar, agarre el enchufe y no el cable.
- No manipule el enchufe, el cable ni la máquina con las manos húmedas.
- Los alargadores deben ser de 12/3 y su longitud no debe superar los 15,24 m. Sustituya el cable o desenchufe inmediatamente si la clavija de tierra está dañada.
- No coloque ningún objeto en las aberturas. No utilice la máquina si las aberturas están obstruidas; manténgalas libres de polvo, hilos, pelo o cualquier otra sustancia que pueda reducir el caudal de aire.
- Mantenga el cabello, las ropas sueltas, los dedos y todas las partes del cuerpo lejos de las aberturas y de las partes en movimiento.
- No recoja ningún material en combustión o que eche humo, como cigarrillos o cerillas, o cualquier tipo de polvo que representara una amenaza para la salud. No utilice para recoger líquidos inflamables o combustibles, como gasolina, ni en lugares en los que pueda haber dichos líquidos.
- Apague todos los controles antes de desenchufar.
- Tenga un cuidado especial cuando limpie en escaleras.
- Enchufe sólo a una toma de corriente debidamente conectada a tierra.
- El líquido eyectado por la boquilla de pulverización podría ser peligroso debido a su temperatura, presión o contenido químico.
- Nunca deje que la máquina o varilla se congele.
- Siempre lea las hojas de información de seguridad de los materiales (MSDS) de las sustancias químicas antes de usarlas.

## GUARDE ESTAS INSTRUCCIONES

## INSTRUCCIONES DE CONEXIÓN A TIERRA 120VCA

Este artefacto debe conectarse a tierra. En caso de que se produzca algún fallo eléctrico, la conexión a tierra ofrece una vía de resistencia menor para la corriente eléctrica, reduciendo el riesgo de descarga eléctrica. Este aparato está equipado con un cable con conductor de conexión a tierra del equipo y enchufe de conexión a tierra. El enchufe debe conectarse a una toma de corriente debidamente instalada y conectada a tierra de acuerdo con todas las normas y ordenanzas locales.

### ¡PELIGRO!

La conexión incorrecta del conductor de conexión a tierra del equipo puede suponer un riesgo de descarga eléctrica. Consulte a un electricista cualificado o al personal de servicio en caso de duda acerca de la correcta conexión a tierra de la toma de corriente. No modifique el enchufe suministrado junto con el aparato. En caso de que este enchufe no sirva para la toma de corriente, pida a un electricista cualificado que instale una toma de corriente adecuada.

Este aparato se usa con un circuito de 120 voltios nominales, y tiene un enchufe con toma a tierra tal como se muestra en la Figura 1, a continuación. Se puede usar un adaptador provisorio tal como se ve en las Figuras 2 y 3 en caso de disponerse de un receptáculo sin toma a tierra como en la Figura 2. Dicho adaptador provisorio se usará solamente hasta que un electricista cualificado instale un receptáculo con la toma a tierra correspondiente (Figura 1). La lengüeta de conexión de color verde que sale del adaptador deberá ser conectada a una toma a tierra permanente como, por ejemplo, la caja del receptáculo con toma a tierra. Siempre que se use el adaptador, hay que sostenerlo en su lugar con un tornillo de metal. El uso de adaptadores de conexión a tierra no está aprobado en Canadá.

Sustituya el enchufe si la patilla de tierra está dañada o rota.

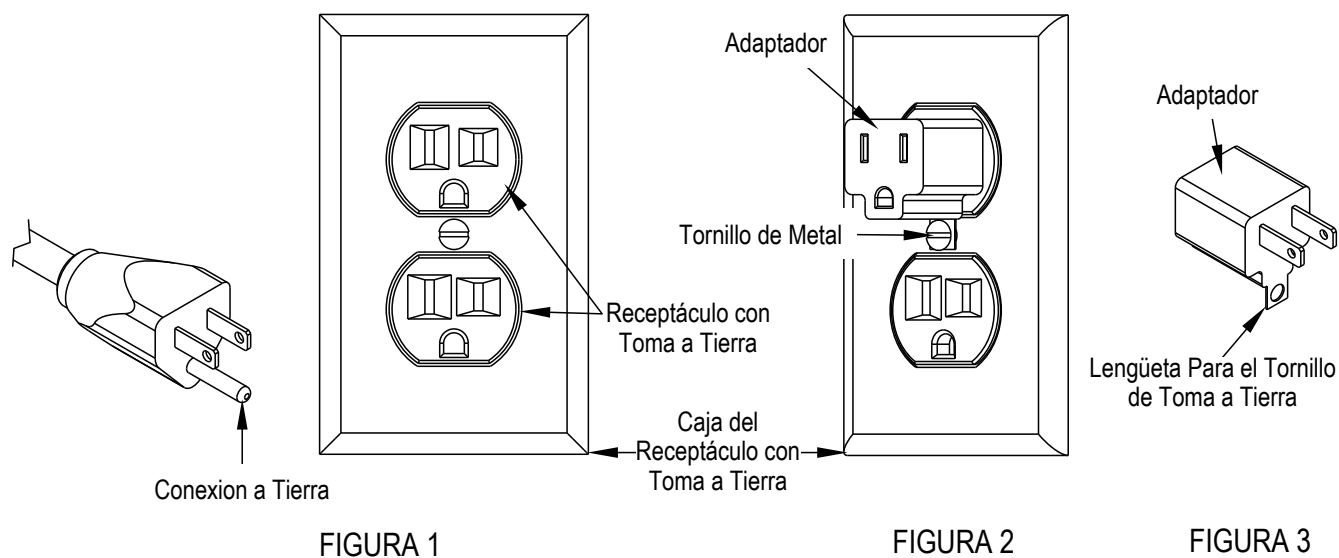
El hilo Verde (o Verde/Amarillo) del cordón es el hilo de tierra. Cuando sustituya el enchufe, este hilo sólo debe ir conectado a la patilla de tierra.

Los cables alargadores conectados a esta máquina deben ser del calibre 12, trifilares, con tres patillas y tomas de pared adecuadas. NO utilice cables alargadores de más de 15 m.

### ¡ADVERTENCIA!

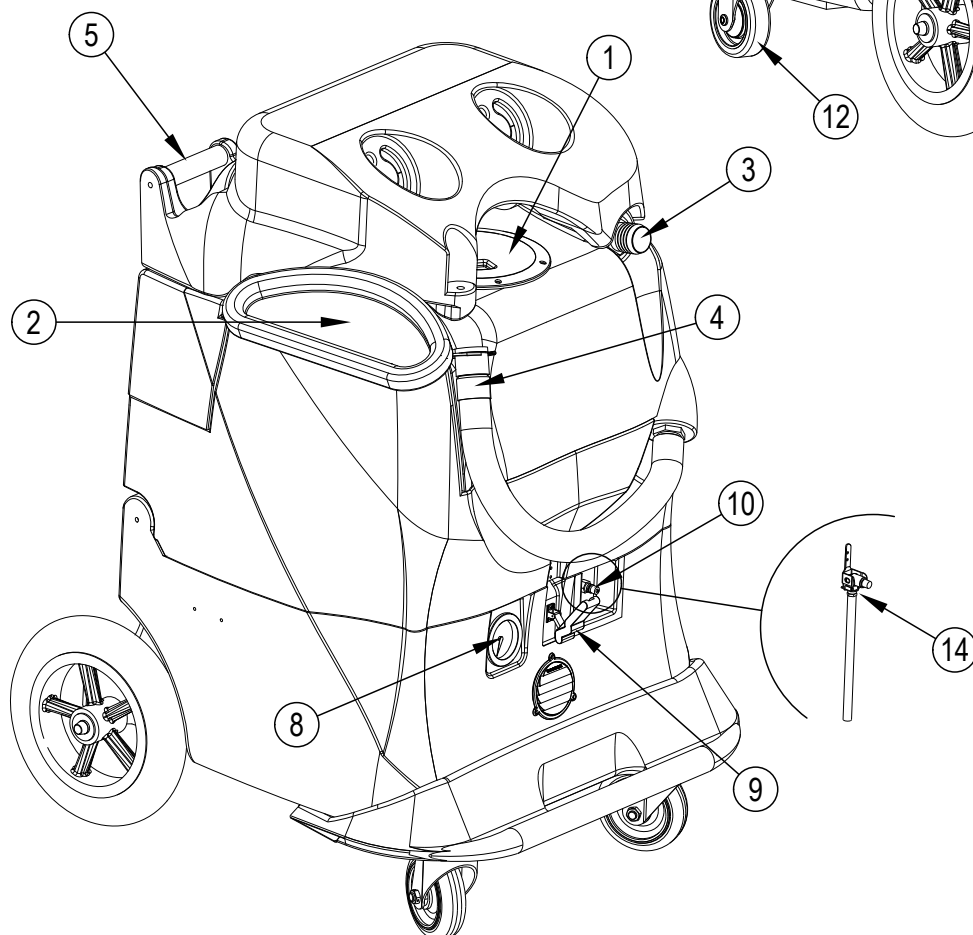
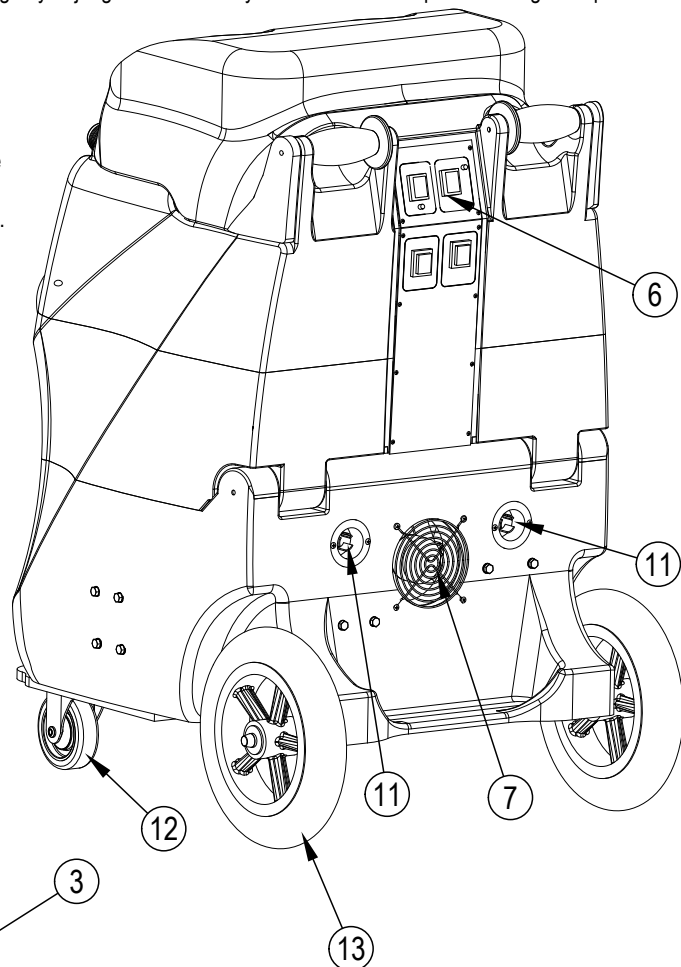
- Si se utiliza un alargador, el enchufe y la toma de corriente deben ser herméticos.
- Los alargadores inadecuados pueden ser peligrosos.

ATENCIÓN: PARA AMÉRICA DEL NORTE SOLAMENTE



## CONOZCA SU MÁQUINA

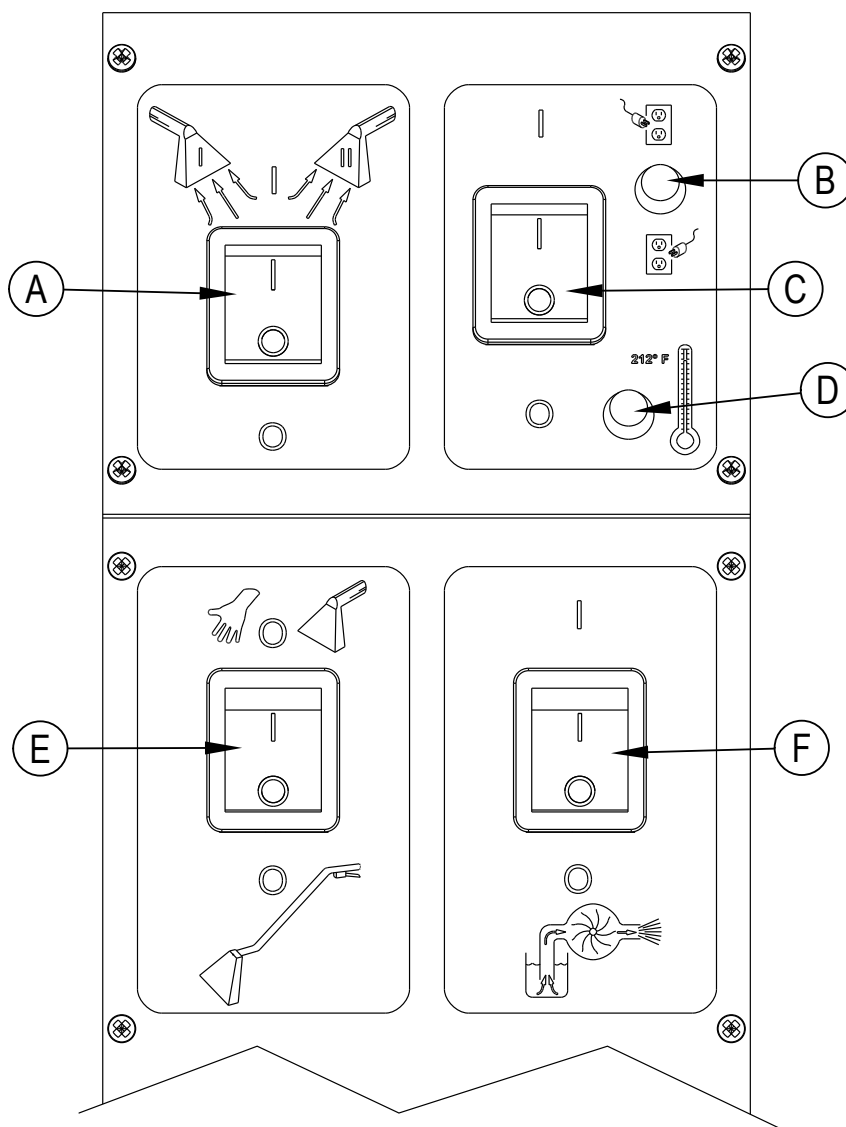
- 1 **TAPA DE ASPIRACIÓN** - Esta tapa brinda acceso al depósito de recuperación para poder limpiarlo. La tapa se debe cerrar antes de intentar la limpieza.
- 2 **ORIFICIO DE LLENADO DEL DEPÓSITO DE LA SOLUCIÓN** - Aquí se llena el depósito con agua y solución de limpieza.
- 3 **LENGÜETA DEL TUBO DE ASPIRACIÓN** - Aquí se conecta el tubo de aspiración a la máquina. La conexión debe ser fuerte para evitar una fuga de aspiración que reduzca el nivel de succión.
- 4 **TUBO DE VACIADO** - Así se vacía el agua sucia del depósito de recuperación. Coloque el tubo sobre un desagüe y abra el tapón. Cuando limpie el depósito después de un trabajo, sencillamente coloque este tubo en un desagüe y enjuague la suciedad y los residuos del depósito con agua limpia. **NOTA:** asegúrese de cerrar bien el tapón antes de volver a usar la máquina.
- 5 **MANIJAS** - Las manijas se usan para trasladar la máquina. ESTAS MANIJAS PERMITEN INCLINAR LA MÁQUINA SOBRE SUS RUEDAS DE 12" PARA MANIOBRARLA FÁCILMENTE Y/O PARA SUBIRLA O BAJARLA POR ESCALERAS.
- 6 **PLACA DE INTERRUPTORES** - Los interruptores se encuentran en la parte posterior de la máquina, alejados del agua.
- 7 **VENTILADOR** - Elimina el aire caliente del compartimiento de componentes.
- 8 **MANÓMETRO DE PSI** - Indica la presión de la bomba. Preste atención a la presión mientras pulveriza.
- 9 **PESTILLO** - El pestillo sostiene el depósito junto con el compartimiento de la base.
- 10 **CONEXIÓN RÁPIDA DEL TUBO DE LA SOLUCIÓN** - Aquí se conecta la línea de solución desde la máquina hacia la varilla para moqueta o herramienta manual.
- 11 **RECEPTÁCULOS DE LOS CABLES DE ALIMENTACIÓN** - En los receptáculos, los dos cables de alimentación se conectan a la máquina.
- 12 **RUEDA PIVOTANTE** - La rueda pivotante facilita las maniobras.
- 13 **RUEDA** - Las ruedas traseras tienen 12 pulgadas de diámetro para facilitar el transporte y el traslado por escaleras.
- 14 **VÁLVULA DE DISMINUCIÓN DE PRESIÓN** - Se utiliza para disminuir la presión en la línea antes de conectar herramientas.





## PANEL DE CONTROL

- A INTERRUPTOR DE ASPIRACIÓN:** Este interruptor se ilumina cuando los motores de aspiración están encendidos. Los motores de aspiración funcionan con el cable 1.
- B LUZ LOCALIZADORA DE CIRCUITO SEPARADO:** Cuando esta luz está encendida, indica que el cable 2 (identificado con la "H" roja en la parte posterior del extractor) está en una línea distinta del cable 1. El cable 2 suministra voltaje al calefactor para que pueda calentarse hasta el rango de temperaturas indicado por el control de calor (1) en la placa de interruptores.
- C INTERRUPTOR DE DERIVACIÓN:** El interruptor de derivación se enciende cuando se activa, y pasa de largo por completo el sistema localizador de circuito. Utilice este sistema únicamente cuando la luz localizadora de circuito no se enciende y usted sabe que cada cable se encuentra en un circuito separado. **NOTA:** EL DISYUNTOR SE PUEDE DESCONECTAR SI AMBOS CABLES ESTÁN EN EL MISMO CIRCUITO Y SE ENCIENDE EL INTERRUPTOR DE DERIVACIÓN (CALOR).
- D LUZ DE MODO CALOR:** Esta luz se enciende únicamente cuando el calefactor está calentando, y se apaga cuando alcanza la temperatura de funcionamiento. Durante el funcionamiento normal, la luz de "MODO" estará encendida la mayor parte del tiempo.
- E INTERRUPTOR DE MOQUETA/TAPICERÍA:** Este interruptor basculante activa una válvula de solenoide –cuando está en el modo Tapicería– que permite que la mayoría de la presión de la bomba vuelva a circular al depósito de retención. Esto permite limpiar materiales delicados a baja presión (aproximadamente 75 psi). Cuando el interruptor está en el modo Moqueta, la bomba funciona sin el solenoide y suministra aproximadamente 300 psi a la herramienta de limpieza. La bomba funciona con el cable 1. La presión de pulverización de la bomba se podrá observar en el manómetro. Este interruptor no se ilumina.
- F INTERRUPTOR DE ENCENDIDO/APAGADO DE LA BOMBA:** Este interruptor se utiliza para encender o apagar la bomba. Se ilumina cuando se enciende.



## CONFIGURACIÓN Y OPERACIÓN

### ¡PRECAUCIÓN!

Tenga cuidado al manipular sustancias químicas peligrosas.

Nunca deje la máquina en funcionamiento si no la está usando de forma activa.

Para evitar daños en el motor de aspiración, asegúrese siempre de que el filtro del flotador está limpio y puede desplazarse libremente antes de usar la máquina. Utilice un desespumante siempre que haya espuma.

### ¡PELIGRO!

NO use disolventes ni productos químicos que puedan ser inflamables, explosivos o combustibles.

### SOLUCIONES DE LIMPIEZA:

Seleccione una pulverización previa adecuada para la superficie a limpiar, y aplique la misma. Use un producto de aclarado o detergente neutro (pH de entre 6 y 10) en la unidad para evitar un desgaste prematuro de las bombas, las juntas y demás componentes. La garantía no cubre ningún problema provocado por el uso de productos químicos inadecuados o potentes. No se recomiendan productos químicos en polvo.

1. Llene el depósito de retención (2) con agua limpia y pulverice previamente con el detergente que prefiera (recomendamos un detergente aprobado por el CRI). Mezcle bien. Si bien la máquina está diseñada para suministrar agua caliente al instante, el añadir agua tibia al depósito de retención puede aumentar la eficiencia del calefactor.  
Nunca use agua a una temperatura superior a 130° F/54° C en el depósito de solución.
2. Apague todos los interruptores. Enchufe el cable 1. (Este cable alimenta la bomba y la aspiración).
3. Acople el tubo de cebado a la conexión rápida del tubo de la solución (10) y coloque el extremo abierto en el depósito de aspiración.
4. Encienda la bomba (F) y déjala funcionar hasta que la bomba esté completamente cebada (aproximadamente entre 30 segundos y 1 minuto). Cuando la bomba se haya cebado, apague la bomba y desconecte el tubo de cebado. Acople el tubo de limpieza (3 y 10) y la herramienta.

### SI DESEA CALENTAR LA SOLUCIÓN:

5. Enchufe el cable del calefactor (identificado con una "H" en la parte posterior de la máquina). **NOTA:** si la luz localizadora de circuito separado (B) no se ilumina cuando se enchufa el cable del calefactor, entonces ambos cables están en el mismo circuito. Pruebe con otros tomas hasta que se encienda la luz. Si no consigue que se encienda la luz verde, consulte la sección sobre el interruptor de derivación (abajo).
6. Encienda la bomba (F) y pulverice con la herramienta algunas veces para llenar las conducciones con solución. Comience la limpieza.
7. Rellene y vacíe los depósitos según sea necesario.
8. Al finalizar el trabajo, aspire toda la solución sin usar hacia el depósito de recuperación y vacíe el depósito. Limpie los depósitos y filtros. Limpie la herramienta y los tubos. Almacene la máquina en un lugar calefaccionado.

### LOCALIZADOR DE CIRCUITO SEPARADO

Este exclusivo "sistema inteligente" patentado, que funciona con un circuito de estado sólido, le informa al operador cuando los dos cables están enchufados en circuitos separados, encendiendo la luz indicadora verde. Así se ayuda a evitar que salten los disyuntores.

### INTERRUPTOR DE DERIVACIÓN

El interruptor de derivación (C) **pasa de largo por completo el sistema localizador de circuito separado**. Utilice esta función cuando no pueda hacer encender la luz localizadora de circuito verde (B) y esté seguro de que los dos cables están en circuitos separados.

### PRECAUCIÓN:

Si el interruptor de derivación está encendido cuando los dos cables se enchufan en el mismo circuito, el disyuntor del panel de pared se puede desconectar.

### APAGADO AUTOMÁTICO DE LA ASPIRACIÓN

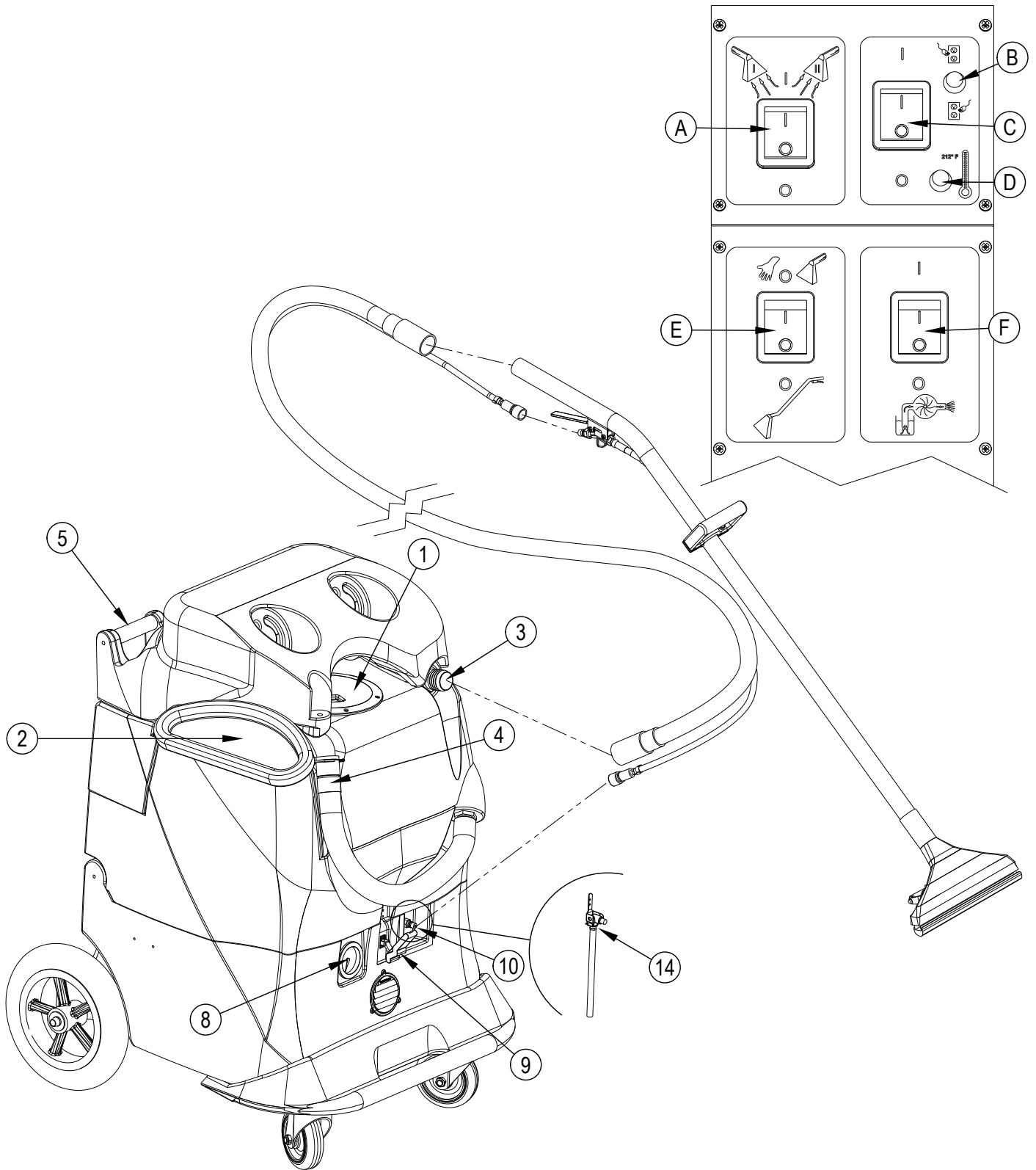
Cuando el depósito de recuperación está lleno, el sistema de flotador apaga el motor de aspiración para evitar que desborde la máquina. El flotador puede no funcionar con espuma. Use siempre un desespumante para evitar el desborde. Cuando se apaga el motor de aspiración, se debe apagar el interruptor de aspiración (A), vaciar el depósito de recuperación, y luego volver a encender el interruptor de aspiración (posición hacia arriba) para que el motor de aspiración vuelva a funcionar.

### PRECAUCIÓN:

Siempre asegúrese de que el flotador esté limpio y se desplace libremente antes de encender la máquina. Si el flotador está atascado, el motor de aspiración recogerá agua y se dañará.

### PRESIÓN DE LA BOMBA:

Asegúrese de que la herramienta de limpieza esté pulverizando cuando ajuste la presión. De lo contrario, la lectura de presión será inexacta.



## DESPUÉS DE LA UTILIZACIÓN DE LA MÁQUINA

- 1 Para vaciar el depósito de retención, aspire toda la solución sin usar hacia el depósito de recuperación con el tubo de aspiración. Enjuague el depósito con agua limpia.
- 2 Apague todos los interruptores de corriente (A, C, E y F) (O). Desenchufe los cables de alimentación.
- 3 Para vaciar el depósito de recuperación, afloje la correa con velcro que sostiene el tubo de drenaje del depósito de recuperación (4). Dirija el tubo al lugar establecido para la eliminación de aguas residuales y retire el tapón (sostenga el extremo del tubo por encima del nivel de agua para evitar el flujo súbito e incontrolado de agua residual). Enjuague el depósito con agua limpia. Inspeccione el tubo de drenaje y sustitúyalo si está torcido o dañado.
- 4 Retire la bolsa de prefiltro de la entrada de aspiración (3). Vacíe y enjuague el prefiltro, y vuelva a colocarlo.
- 5 Desconecte los tubos de solución y aspiración de la máquina, en la conexión rápida del tubo de la solución (10) y la conexión del tubo de aspiración (3), respectivamente. Lave el tubo de aspiración con agua tibia para eliminar residuos del tubo de aspiración y de la herramienta de limpieza. Exáminelos para comprobar si existen daños.
- 6 Limpie la máquina con un paño húmedo. No utilice disolventes ni productos químicos abrasivos.
- 7 Realice cualquier operación de mantenimiento que sea necesaria antes de guardar la máquina.

## PROGRAMA DE MANTENIMIENTO

OPERACIÓN DE MANTENIMIENTO	Diario	Semanal	Anual
Limpiar e inspeccionar depósitos y tubos	•		
Limpiar e inspeccionar el flotador de cierre del depósito de recuperación	•		
Limpiar la varilla/herramienta de extracción	•		
Limpiar e inspeccionar los filtros de la solución		•	
Verificar los cepillos de carbono			•

## ¡IMPORTANTE!

Los daños al motor causados por no haber revisado y mantenido los cepillos de carbono no están cubiertos por la garantía. Consulte la Declaración de Garantía Limitada.

- 8 Guarde la máquina en el interior, en un lugar limpio y seco, con la tapa del depósito de recuperación abierta. Protéjala frente a la congelación.

## MANTENIMIENTO DEL CABLE DE ALIMENTACIÓN

Una vez por semana (o más si fuera necesario), compruebe los cables de alimentación para ver si existen grietas o si el aislamiento está dañado, si hay hilos expuestos en el cable o en el enchufe y si la patilla de tierra está dañada o no está presente. Repare o sustituya el cable o enchufe dañado **inmediatamente**.

## MANTENIMIENTO:

Para lograr un rendimiento óptimo, limpie la máquina con agua limpia al final de cada jornada laboral. Una vez al mes, como mínimo, haga pasar un compuesto de limpieza por la máquina para deshacer cualquier acumulación de minerales o productos químicos que pueda haberse formado. El motor de aspiración, los motores de las bombas y las propias bombas no necesitan ningún mantenimiento programado; sin embargo, puede ser necesario cambiar las escobillas de los motores tras 1000-1500 horas de funcionamiento, y la bomba y la válvula de derivación pueden requerir kits de reparación tras 500-1500 horas (consulte la lista de piezas de la máquina para conocer los números). Limpie el cuerpo de la máquina con un detergente multiusos y protéjalo con cera de automóviles para interiores. Lubrique las ruedas, ruedas pivotantes y desconexiones rápidas con un spray de silicona multiusos.

## LOCALIZACIÓN DE AVERÍAS

### SI SE PRODUCE ESTE PROBLEMA

### COMPRUEBE LO SIGUIENTE

NO HAY PULVERIZACIÓN	El depósito de la solución está vacío. Punta de pulverización atascada. La bomba no funciona o no ha sido cebada. La válvula en la varilla no funciona.
LA BOMBA NO FUNCIONA	Verifique los cepillos en el motor de la bomba. Sustituya si es necesario. No llega alimentación a la bomba. Compruebe la placa de circuitos de control de velocidad del motor.
POCA SUCCIÓN	Hay residuos que atascan la herramienta de limpieza o el tubo de aspiración. La compuerta de vaciado no está completamente cerrada, o las juntas están dañadas. La tapa de la aspiración no está asentada o está dañada.
NINGUNA SUCCIÓN	No llega alimentación al motor. Compruebe el flotador electrónico. Compruebe el interruptor. Compruebe el motor de aspiración. Compruebe la placa de circuitos de la aspiración. Controle si hay residuos en la bolsa de prefiltro.
POCO CALOR	Pulverización demasiado prolongada. Intente pulverizar durante 12-15 segundos, o unos tres golpes. Es necesario limpiar el intercambiador de calor. Se está utilizando una herramienta equivocada. Pasa demasiada agua. Tubo más largo o de mayor diámetro que el estándar.
NO HAY CALOR	No se ha encendido el sistema calefactor. La luz verde debe estar encendida o el interruptor de derivación debe estar encendido. No hay alimentación en la toma de la pared: compruebe si el disyuntor ha saltado. No llega corriente al interruptor de derivación: compruebe si hay "circuitos abiertos" en el cableado. No sale corriente del interruptor de derivación; siga los pasos que aparecen en la localización de averías para identificar el problema. <b>LLAME A SU DISTRIBUIDOR PARA OBTENER AYUDA ADICIONAL.</b>

## ESPECIFICACIONES TÉCNICAS (SEGÚN LA INSTALACIÓN Y LAS PRUEBAS DE LA UNIDAD)

Modelo	Solus 310
Nº de modelo	SOLUS-310 / 56380568
Cuerpo rotomoldeado	Garantía de por vida
Aspiración	Dos 5,7", 2 etapas
Desconexión de aspiración	Electrónica
Bomba	Desplazamiento positivo, seleccione tapicería o moqueta
Succión	86" -- 200 CFM
Calor	Hasta 212° F
Calefactor	2000 vatios
Varilla	Acero inoxidable, doble curva, doble punta
Peso	115 lbs.
Dimensiones	24 ancho x 28 longitud x 41 altura (pulgadas)

**TABLE DES MATIÈRES**

	<b>Page</b>
<b>Introduction</b> .....	C-3
Pièces et service après-vente .....	C-3
Plaque d'identification.....	C-3
Déballage de la machine .....	C-3
Consignes de sécurité importantes .....	C-4
Instructions de mise à la terre .....	C-5
<b>Apprenez à connaître votre machine</b> .....	C-6 – C-7
Panneau de commande .....	C-7
 <b>Installation et fonctionnement</b> .....	 C-8 – C-9
 <b>Après l'utilisation</b>	
Après l'utilisation de la machine .....	C-10
 <b>Entretien</b>	
Programme d'entretien .....	C-10
Entretien du cordon électrique.....	C-10
Dépannage .....	C-11
Spécifications techniques .....	C-11
 <b>SECTION II – Liste des pièces</b> .....	 D-1 - D-11
Base .....	D-2 - D-3
Réservoir de rétention .....	D-4 - D-5
Réservoir d'aspiration.....	D-6 - D-7
Système de tuyauterie.....	D-8 - D-9
Schéma du circuit d'eau .....	D-10 - D-11

## INTRODUCTION

Ce mode d'emploi vous permettra d'exploiter au maximum les fonctionnalités de votre extracteur. Lisez-le attentivement avant d'utiliser la machine.

**Note : les chiffres en gras et entre parenthèses indiquent un élément illustré à la page C-6, sauf indication contraire.**

Ce produit est conçu pour un usage commercial uniquement.

## PIÈCES ET SERVICE APRÈS-VENTE

Si nécessaire, les réparations doivent être effectuées par votre centre de service agréé. Ce centre emploie du personnel formé en usine et maintient un inventaire de pièces de rechange et d'accessoires originaux.

Veillez appeler pour tout entretien ou pièce de rechange. Veuillez préciser le modèle et le numéro de série de votre machine dans toute communication.

## MODIFICATIONS

Les ajouts et modifications de la machine de nettoyage, qui affectent la capacité et le fonctionnement sécurisé, ne doivent pas être réalisés par le client ou l'utilisateur sans l'approbation écrite et préalable du fabricant. Les modifications non approuvées annuleront la garantie de la machine et rendront le client responsable de tout accident consécutif.

## PLAQUE D'IDENTIFICATION

La référence du modèle et le numéro de série de votre machine figurent sur la plaque d'identification. Ces informations sont nécessaires lors de la commande de pièces détachées. Utilisez l'espace disponible ci-dessous pour consigner ces renseignements en vue d'une utilisation ultérieure.

Modèle \_\_\_\_\_

Numéro de série \_\_\_\_\_

## DÉBALLAGE DE LA MACHINE

Lors de la livraison de la machine, veuillez inspecter soigneusement le carton de conditionnement et la machine elle-même afin de déceler tout dommage éventuel. En cas de dommages manifestes, conservez le carton de conditionnement afin d'en permettre l'inspection.

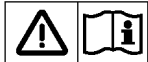
## AVERTISSEMENT !

Les Produits vendus avec le présent manuel contiennent ou peuvent contenir des produits chimiques reconnus par certains gouvernements (comme l'État de Californie, par le biais de la proposition de loi d'avertissement réglementaire 65) comme provoquant des cancers, des anomalies congénitales et autres dangers pour la reproduction. Dans certains endroits (comme l'État de Californie), les acheteurs de ces Produits, qui les utilisent sur un lieu de travail ou dans un espace public, ont l'obligation d'apposer certains avis, avertissements ou informations concernant les produits chimiques qui sont ou peuvent être contenus dans les Produits dans ces lieux ou aux alentours de ces lieux de travail. Il incombe à l'acheteur de connaître les dispositions de, et de respecter, toutes les lois et réglementations ayant trait à l'utilisation de ces Produits au sein de tels environnements. Le Fabricant rejette toute responsabilité d'informer les acheteurs concernant les exigences spécifiques qui peuvent s'appliquer à l'utilisation des Produits dans de tels environnements.

## CONSIGNES DE SÉCURITÉ IMPORTANTES

Cette machine est conçue uniquement pour une utilisation commerciale, comme dans des hôtels, des écoles, des hôpitaux, des usines, des magasins et des bureaux, tout ce qui ne concerne pas les travaux ménagers.

Lorsque vous utilisez un appareil électrique, certaines règles de base doivent toujours être observées, notamment celles énoncées ci-après :



**NOTE** : lisez toutes les instructions avant d'utiliser la machine.

### **AVERTISSEMENT !**

Afin de réduire les risques d'incendie, de décharge électrique ou de blessure :

- Ne laissez pas la machine sans surveillance quand elle est branchée. Débranchez-la de la prise lorsqu'elle n'est pas utilisée et avant de procéder à un entretien.
- Afin d'éviter tout choc électrique, n'exposez pas la machine à la pluie ou à la neige. Rangez et utilisez cet appareil uniquement à l'intérieur.
- Cet appareil ne doit pas être utilisé comme un jouet. Faites très attention lorsque l'appareil est utilisé à proximité d'enfants.
- Utilisez cet appareil uniquement comme décrit dans le présent manuel. Utilisez uniquement les accessoires recommandés par le fabricant.
- N'ajoutez jamais une eau à plus de 54°C dans le réservoir de solution.
- N'utilisez pas l'appareil si le cordon ou la prise sont endommagés. Si la machine ne fonctionne pas correctement, si elle est tombée, endommagée, restée à l'extérieur, voire même lâchée dans l'eau, renvoyez-la dans un centre de service.
- Ne tirez pas l'appareil par le cordon électrique. N'utilisez pas non plus le cordon comme une poignée et ne l'enroulez pas autour d'objets pointus ou tranchants. Évitez également de refermer une porte sur le cordon. Évitez de faire rouler la machine sur le cordon. Le cordon doit rester loin de toute surface chauffée. Pour débrancher la machine, saisissez la prise et non le cordon.
- Ne manipulez pas la prise, le cordon ou la machine avec les mains humides.
- La longueur des rallonges doit être de 1 à 15 m maximums. Remplacez ou débranchez immédiatement le cordon si le conducteur de terre est endommagé.
- N'introduisez aucun objet dans les orifices de l'appareil. N'utilisez pas l'appareil si l'un de ses orifices est bloqué. Conservez à l'abri des poussières, cheveux, peluches, etc., qui risquent de réduire le débit d'air.
- Évitez que des cheveux, doigts ou vêtements amples ne soient entraînés dans les parties mobiles de la machine ou pris dans un de ses orifices.
- N'aspirez aucun objet brûlant ou fumant, tel que des cigarettes, des allumettes, des cendres chaudes, ni aucune poussière nuisible à la santé. N'utilisez pas la machine pour ramasser des liquides inflammables ou combustibles, tels que de l'essence, ou à proximité de telles substances.
- Placez toutes les commandes en position d'arrêt avant de débrancher l'appareil.
- Faites très attention en nettoyant des escaliers.
- Branchez uniquement l'appareil à une prise correctement mise à la terre.
- Tout liquide éjecté du gicleur peut être dangereux en raison de sa température, de sa pression ou de sa nature chimique.
- Ne laissez jamais la machine ou la lance geler.
- Lisez toujours les FDS des produits chimiques avant leur utilisation.

## CONSERVEZ CES CONSIGNES



## INSTRUCTIONS DE MISE À LA TERRE POUR 120 V C.A.

Cet appareil doit être mis à la terre. En cas de mauvais fonctionnement, la mise à la terre établit un trajet de moindre résistance pour le courant électrique afin de réduire le risque de décharge électrique. Cet appareil est équipé d'un cordon doté d'un conducteur de protection et d'une prise de mise à la terre. La prise doit être branchée à une prise murale appropriée, correctement installée et mise à la terre, en accord avec tous les codes et consignes locaux.

### DANGER !

Un conducteur de protection mal branché peut entraîner un risque de décharge électrique. Vérifiez avec un électricien ou un technicien qualifié en cas de doute sur la mise à la terre correcte de la prise. Ne modifiez pas la prise fournie avec l'appareil. Si elle ne peut pas être branchée, faites installer une prise murale appropriée par un électricien qualifié.

Cet appareil est destiné à être utilisé sur un circuit de 120 volts et possède une prise de mise à la terre comme celle illustrée à la Figure 1. Un adaptateur temporaire illustré sur les Figures 2 et 3 peut être utilisé pour brancher cette dernière à une prise fixe bipolaire, illustrée à la Figure 2, si une prise correctement mise à la terre n'est pas disponible. L'adaptateur temporaire doit être utilisé jusqu'à ce qu'une prise correctement mise à la terre (Figure 1) soit installée par un électricien qualifié. La languette rigide de couleur verte, ou autre dispositif du même genre, de l'adaptateur doit être connectée à une mise à la terre permanente, telle qu'une prise correctement reliée à la terre. Lorsque l'adaptateur est utilisé, il doit être maintenu en position avec une vis métallique. Les adaptateurs de mise à la terre ne sont pas conçus pour une utilisation au Canada.

Remplacez la prise si la broche de mise à la terre est endommagée ou cassée.

Le fil vert (ou vert/jaune) est le fil de terre. Lorsque vous remplacez la prise, ce fil doit être connecté à la broche de mise à la terre uniquement.

Les cordons prolongateurs branchés à cette machine doivent être des rallonges à trois conducteurs de calibre 12, avec des fiches et des prises à trois broches. N'utilisez PAS des cordons prolongateurs de plus de 15 m.

### AVERTISSEMENT !

- Si une rallonge est utilisée, la prise de la rallonge et la prise murale doivent être étanches.
- Les rallonges électriques inappropriées peuvent présenter des risques.

REMARQUE : UNIQUEMENT POUR L'AMÉRIQUE DU NORD

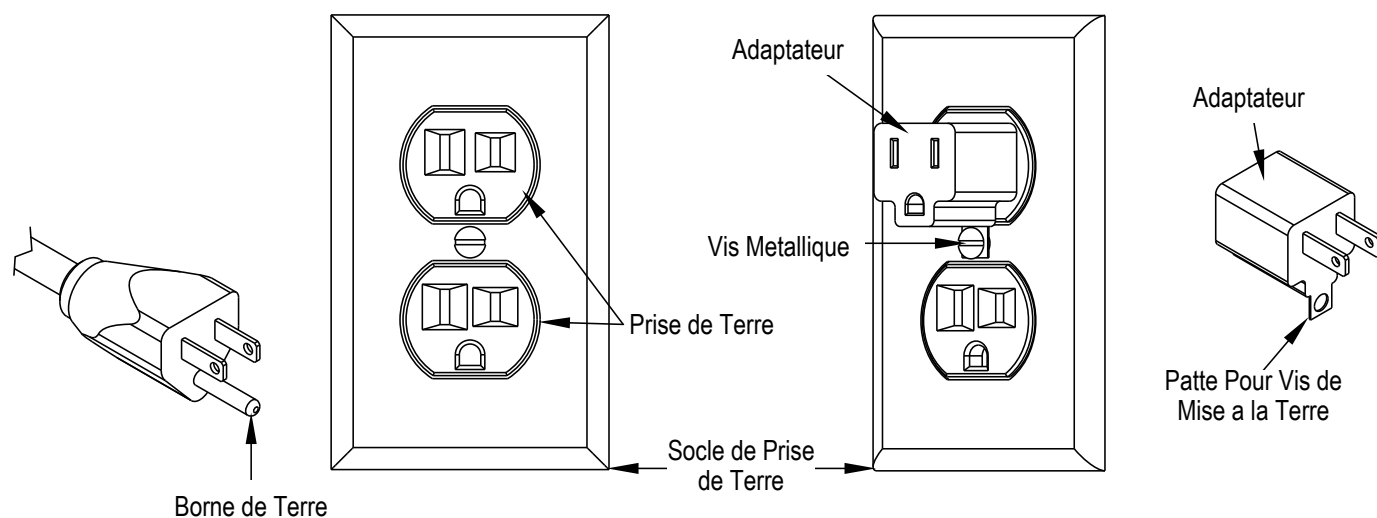


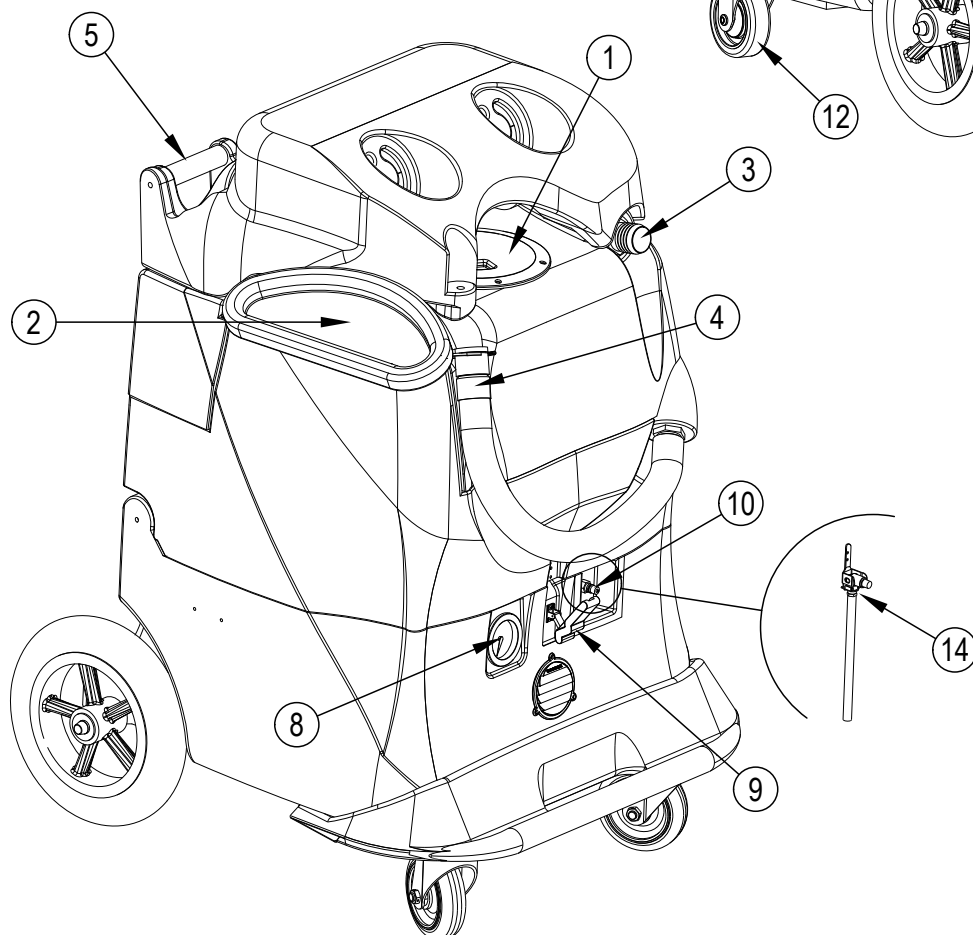
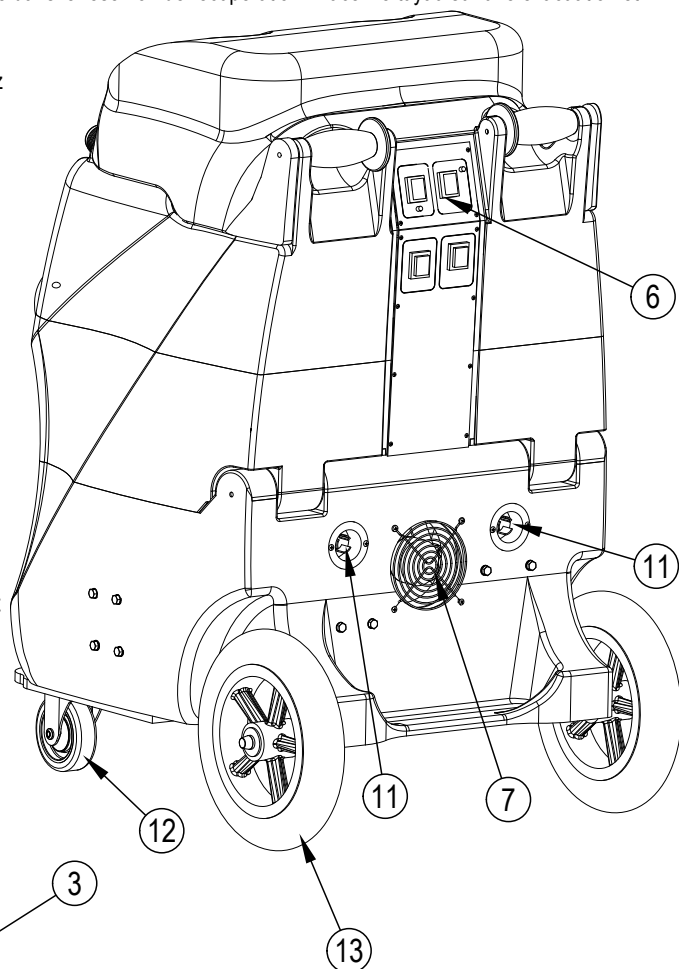
FIGURE 1

FIGURE 2

FIGURE 3

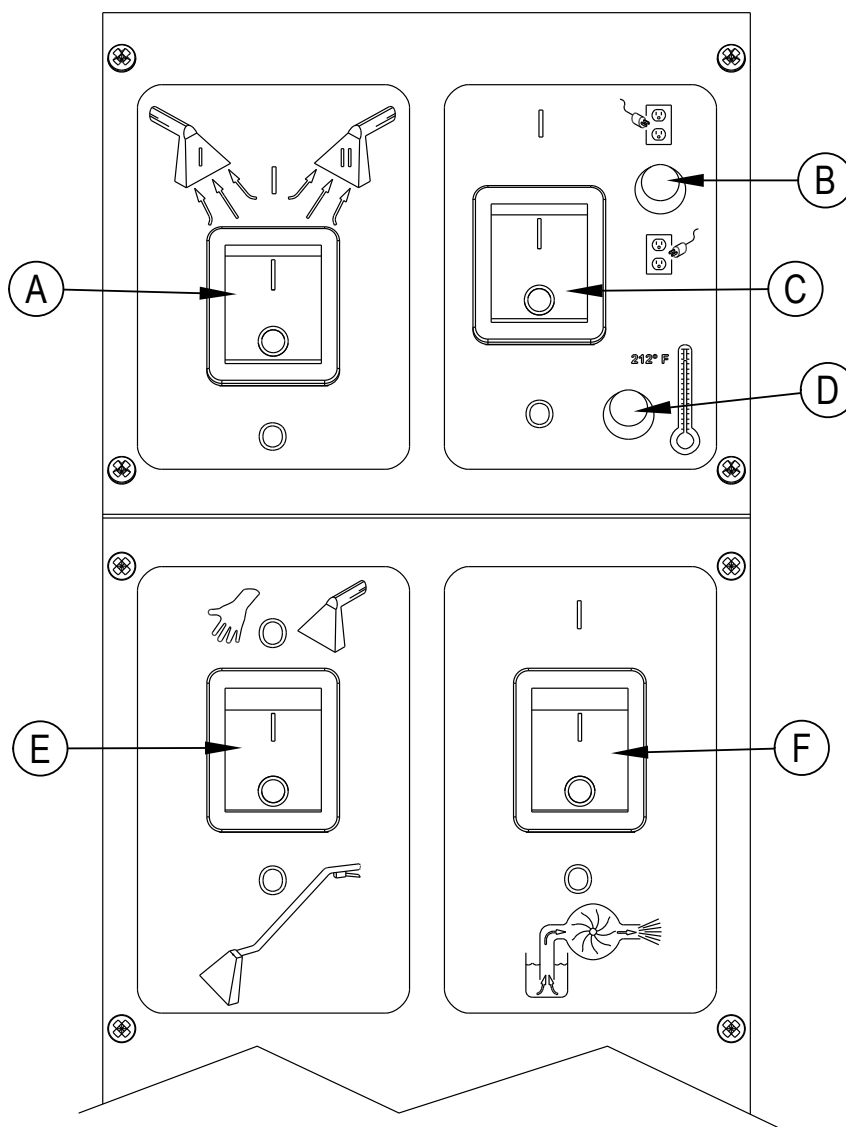
## APPRENEZ À CONNAÎTRE VOTRE MACHINE

- 1 **COUVERCLE D'ASPIRATION** – Ce couvercle permet d'intervenir à l'intérieur du réservoir de récupération afin de pouvoir le nettoyer. Ce couvercle doit être fermé avant de procéder à l'utilisation.
- 2 **ORIFICE DE REMPLISSAGE DU RÉSERVOIR DE SOLUTION** – C'est l'orifice qui permet de remplir le réservoir d'eau et de solution de nettoyage.
- 3 **RACCORD FILETÉ D'ASPIRATION** – C'est l'endroit où vous branchez le tuyau d'aspiration à la machine. Il est nécessaire de bien serrer ce raccord pour éviter toute fuite de vide, ce qui réduirait le volume d'aspiration.
- 4 **TUYAU DE VIDANGE** – C'est le tuyau qui permet de vider l'eau sale présente dans le réservoir de récupération. Placez le tuyau sur une évacuation et ouvrez le bouchon. Quand vous nettoyez le réservoir à la fin d'un travail, placez simplement ce tuyau dans une évacuation et utilisez de l'eau propre pour rincer la saleté et les débris présents dans le réservoir. **NOTE** : n'oubliez pas de fermer correctement le bouchon avant de réutiliser la machine.
- 5 **POIGNÉES** – Les poignées servent à déplacer la machine. Ces poignées vous permettent de basculer la machine vers l'arrière sur ses roues de 30 cm pour la manœuvrer facilement et/ou la déplacer dans des escaliers.
- 6 **PLAQUE D'INTERRUPTEUR** – Les interrupteurs sont situés à l'arrière de la machine, à l'abri de l'eau.
- 7 **VENTILATEUR** – Évacue l'air chaud du compartiment des composants.
- 8 **MANOMÈTRE** – Indique la pression de la pompe. Observez la pression pendant que vous vaporisez.
- 9 **LOQUET** – Ce loquet maintient ensemble le réservoir et le compartiment de base.
- 10 **RACCORD RAPIDE DU TUYAU DE SOLUTION** – Il s'agit de l'endroit où vous branchez la conduite de solution qui va de la machine à la lance pour tapis ou à l'accessoire manuel.
- 11 **PRISES DES CORDONS ÉLECTRIQUES** – Ces prises permettent de relier les deux cordons électriques à la machine.
- 12 **ROULETTE** – Les roulettes pivotantes facilitent la manœuvrabilité.
- 13 **ROUE** – Les roues arrière ont un diamètre de 30 cm pour faciliter le transport et la montée des escaliers.
- 14 **SOUPAPE DE DÉCHARGE** – Utilisée pour relâcher la pression dans la conduite avant de brancher des accessoires.



## PANNEAU DE COMMANDE

- A INTERRUPTEUR D'ASPIRATION** : cet interrupteur s'allume quand les moteurs d'aspiration sont en marche. Les moteurs d'aspiration fonctionnent à partir du cordon #1.
- B TÉMOIN DE LOCALISATION DE CIRCUITS SÉPARÉS** : quand ce témoin est allumé, il indique que le cordon #2 (identifié par le « H » rouge à l'arrière de l'extracteur) est branché à un circuit différent du cordon #1. Le cordon #2 alimente l'échangeur de chaleur, lui permettant de chauffer l'eau à la température indiquée par le bouton Sélecteur de Chauffage (#1) situé sur la plaque d'interrupteur.
- C INTERRUPTEUR DE DÉRIVATION** : l'interrupteur de dérivation s'allume quand il est activé et contourne complètement le système de localisation de circuits. Utilisez cet interrupteur uniquement quand le témoin de localisation de circuits ne s'allume pas et que vous savez pertinemment que chaque cordon est branché à un circuit séparé. **NOTE** : LE DISJONCTEUR PEUT SE DÉCLENCHER SI LES DEUX CORDONS SONT BRANCHÉS SUR LE MÊME CIRCUIT ET QUE L'INTERRUPTEUR DE DÉRIVATION (chauffage) EST ACTIVÉ.
- D TÉMOIN DU MODE DE CHAUFFAGE** : ce témoin s'allume uniquement quand l'échangeur de chaleur est en marche, et il s'éteint quand la température de fonctionnement est atteinte. Pendant une utilisation normale, le témoin « MODE » est allumé presque en continu.
- E INTERRUPTEUR TAPIS ET TISSU** : cet interrupteur à bascule active une électrovanne qui, quand elle est placée en mode Tissu, permet à la majeure partie de la pression de la pompe de revenir vers le réservoir de rétention. Ainsi, vous pouvez nettoyer des matériaux délicats à une pression basse (environ 5 bars). Quand cet interrupteur est réglé sur Tapis, la pompe fonctionne sans l'électrovanne et génère une pression d'environ 20,50 bars pour l'accessoire de nettoyage. La pompe fonctionne à partir du cordon #1. La pression de pulvérisation de la pompe peut être observée sur le manomètre. Cet interrupteur n'est pas doté d'un voyant et ne s'allume pas.
- F INTERRUPTEUR DE MARCHE/ARRÊT DE LA POMPE** : cet interrupteur démarre et arrête la pompe. Il s'allume quand il est en position de marche.



## INSTALLATION ET FONCTIONNEMENT

### ATTENTION !

Prenez des précautions quand vous manipulez des produits chimiques dangereux.

Ne laissez jamais la machine fonctionner si vous ne l'utilisez pas de manière active.

Pour ne pas endommager le moteur d'aspiration, vérifiez toujours avant d'utiliser la machine que le filtre flottant est propre et qu'il peut se déplacer librement. Utilisez toujours un agent anti-mousse en cas de moussage.

### DANGER !

N'utilisez PAS un solvant ou tout autre produit chimique inflammable, détonant ou combustible.

### SOLUTIONS DE NETTOYAGE :

Sélectionnez le produit de pré-vaporisation adapté à la surface à nettoyer et appliquez-le. Utilisez un détergent ou un produit de rinçage à pH neutre (entre 6 et 10) dans la machine pour éviter l'usure prématurée des pompes, des joints et autres composants. Les dommages découlant de l'emploi de produits chimiques forts ou incorrects ne sont pas couverts par la garantie. Les produits chimiques en poudre sont déconseillés.

1. Remplissez le réservoir de rétention (2) d'eau propre et effectuez une pré-vaporisation avec le détergent de votre choix (nous vous conseillons d'utiliser un produit chimique recommandé par CRI). Mélangez correctement. Bien que cette machine soit conçue pour fournir instantanément de l'eau chaude, l'ajout d'eau chaude dans le réservoir de rétention augmente l'efficacité de l'échangeur de chaleur. N'utilisez jamais une eau à plus de 54°C pour remplir le réservoir de solution.
2. Placez tous les interrupteurs en position d'arrêt. Branchez le cordon #1. (Ce cordon fait fonctionner la pompe et l'aspiration.)
3. Fixez le tuyau d'amorçage au raccord rapide du tuyau de solution (10) et placez l'autre extrémité libre du tuyau dans le réservoir d'aspiration.
4. Mettez la pompe (F) en marche et laissez-la fonctionner jusqu'à ce qu'elle soit totalement amorcée (30 à 60 secondes environ). Dès que la pompe est amorcée, arrêtez-la et débranchez le tuyau d'amorçage. Branchez le tuyau de nettoyage (3 et 10) et l'accessoire.

### SI VOUS VOULEZ UTILISER UNE SOLUTION CHAUFFÉE :

5. Branchez le cordon de l'échangeur de chaleur (identifié par un « H » à l'arrière de la machine). **NOTE** : si le témoin de localisation de circuits séparés (B) ne s'allume pas quand le cordon de l'échangeur de chaleur est branché, alors les deux cordons sont reliés au même circuit. Essayez d'autres prises jusqu'à ce que le témoin s'allume. Consultez la section sur l'Interrupteur de Dérivation (ci-dessous) si vous ne parvenez pas à allumer le témoin vert.
6. Allumez la pompe (F) et pulvérisez un peu à l'aide de l'accessoire pour remplir les conduites de solution. Commencez à nettoyer.
7. Remplissez et videz les réservoirs comme nécessaire.
8. Quand vous avez terminé le travail, aspirez la totalité de la solution non utilisée dans le réservoir de récupération et videz le réservoir. Nettoyez les réservoirs et les filtres. Nettoyez l'outil et les tuyaux. Rangez la machine dans un lieu chauffé.

### LOCALISATEUR DE CIRCUITS SÉPARÉS

Ce « système intelligent » unique et breveté, activé par un circuit à semi-conducteur informe l'opérateur en allumant un témoin vert quand les deux cordons sont branchés à deux circuits séparés. Cela empêche le déclenchement des disjoncteurs.

### INTERRUPTEUR DE DÉRIVATION

L'interrupteur de dérivation (C) permet de contourner complètement le localisateur de circuits séparés. Utilisez cette fonction quand vous ne parvenez pas à allumer le témoin vert de localisation de circuits (B) et que vous pensez que les deux cordons sont reliés à des circuits séparés.

### ATTENTION :

Si l'interrupteur de dérivation est activé quand les deux cordons sont branchés au même circuit, le disjoncteur dans le mur peut se déclencher.

### ARRÊT D'ASPIRATION AUTOMATIQUE

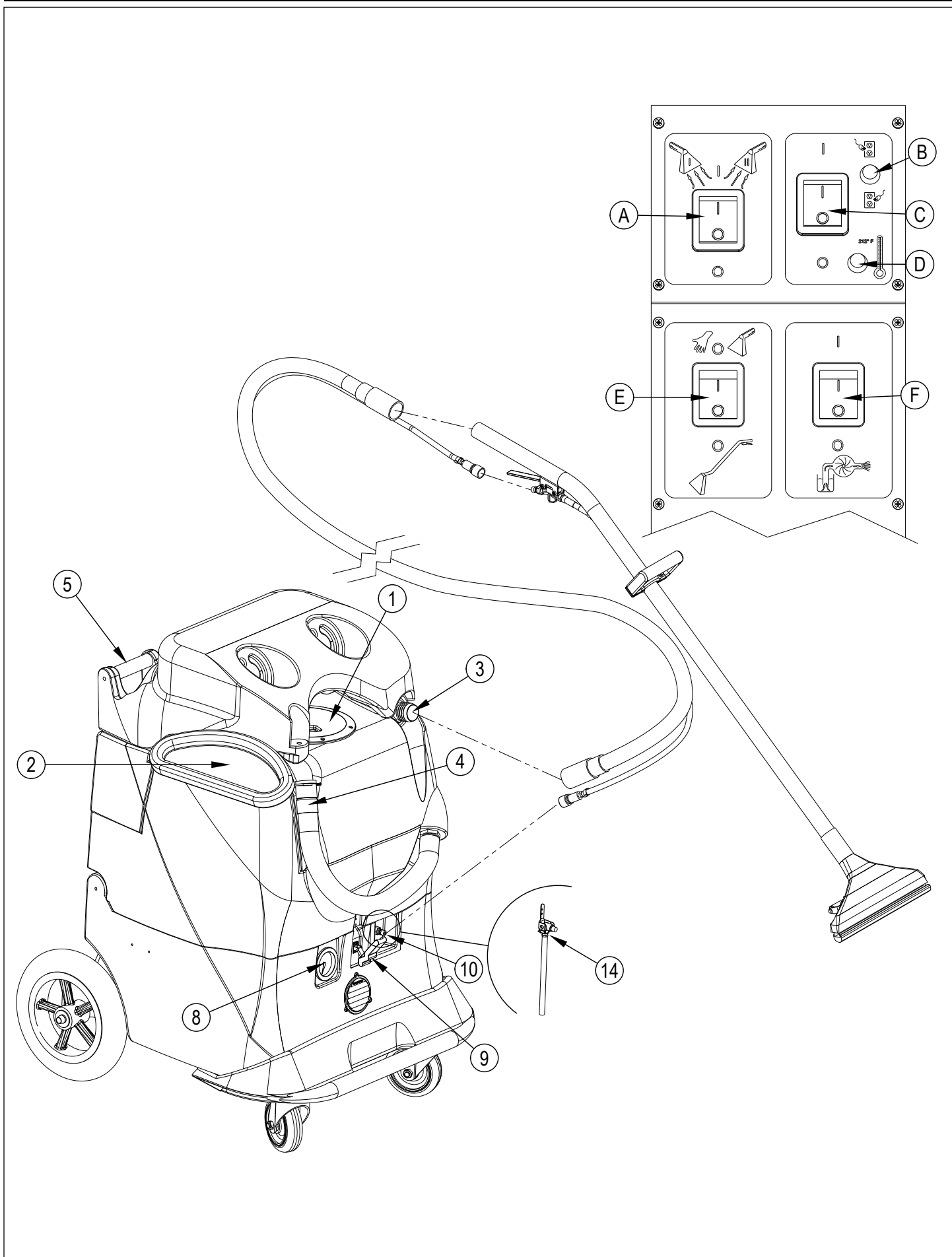
Quand le réservoir de récupération est plein, le système de flotteur arrête le moteur d'aspiration pour éviter tout débordement. La présence de mousse peut empêcher le flotteur de fonctionner. Utilisez toujours un agent anti-mousse pour éviter tout débordement. Dès que le moteur d'aspiration s'arrête, l'interrupteur d'aspiration (A) doit être placé en position d'arrêt, le réservoir de récupération doit être vidé, et l'interrupteur d'aspiration doit ensuite être replacé en position de marche (position haute) pour redémarrer le moteur d'aspiration.

### ATTENTION :

Assurez-vous toujours que le flotteur est propre et se déplace librement avant de mettre la machine en marche. Un flotteur bloqué entraîne une aspiration d'eau dans le moteur d'aspiration, endommageant ledit moteur.

### PRESSION DE LA POMPE :

Assurez-vous que l'accessoire de nettoyage vaporise pendant que vous réglez la pression. Dans le cas contraire, la lecture de la pression sera inexacte.



## APRÈS L'UTILISATION DE LA MACHINE

- 1 Pour vider le réservoir de rétention, aspirez la totalité de la solution non utilisée dans le réservoir de récupération à l'aide du tuyau d'aspiration. Rincez le réservoir à l'eau claire.
- 2 Placez tous les interrupteurs (**A, C, E et F**) en position d'arrêt (**O**). Débranchez les cordons électriques.
- 3 Pour vider le réservoir de récupération, desserrez l'attache Velcro retenant le tuyau de vidange du réservoir de récupération (**4**). Dirigez le tuyau de vidange vers un « SITE D'ÉVACUATION » des eaux usées désigné et enlevez le bouchon (maintenez l'extrémité au-dessus du niveau d'eau du réservoir afin d'éviter tout déversement accidentel et incontrôlable des eaux usées). Rincez le réservoir à l'eau claire. Inspectez le tuyau de vidange ; remplacez-le s'il est endommagé ou tordu.
- 4 Retirez le sac pré-filtrant de l'entrée d'aspiration (**3**). Videz et rincez le pré-filtre et réinstallez-le.
- 5 Débranchez les tuyaux de solution et d'aspiration de la machine, au niveau respectivement du raccord rapide du tuyau de solution (**10**) et du raccord du tuyau d'aspiration (**3**). Rincez le tuyau d'aspiration à l'eau chaude pour éliminer les débris présents dans le tuyau et dans l'accessoire de nettoyage. Vérifiez la présence de dommages.
- 6 Essuyez la machine avec un chiffon humide. N'utilisez pas de produits chimiques abrasifs ou de solvants.
- 7 Avant de ranger la machine, effectuez toutes les tâches de maintenance nécessaires.

## PROGRAMME DE MAINTENANCE

ÉLÉMENT	Tous les jours	Chaque semaine	Tous les ans
Vérification / nettoyage des réservoirs et tuyaux	•		
Vérification / nettoyage du système de fermeture à flotteur du réservoir de récupération	•		
Nettoyage de l'accessoire / lance d'extraction	•		
Inspection et nettoyage des filtres de solution		•	
Vérification des balais de carbone			•

## IMPORTANT !

Les dommages occasionnés au moteur suite à un manque d'entretien des balais de carbone ne sont pas couverts par la garantie. Consultez la Déclaration de responsabilité limitée.

- 8 Rangez la machine à l'intérieur, dans un endroit sec et propre, le couvercle du réservoir de récupération étant ouvert. Maintenez-la à l'abri du gel.

## ENTRETIEN DU CORDON ÉLECTRIQUE

Une fois par semaine (ou plus souvent si nécessaire), vérifiez les cordons électriques : la gaine ne présente aucune craquelure ou autre dommage, aucun fil n'est dénudé dans le cordon ou la prise, et la broche de terre n'est pas endommagée ou absente. Réparez ou remplacez **immédiatement** le cordon ou la prise s'ils sont endommagés.

## ENTRETIEN :

Pour une performance optimale, rincez la machine à l'eau claire à la fin de chaque journée de travail. Faites circuler un composé de rinçage dans la machine au moins une fois par mois pour éliminer toute accumulation de minéraux ou de produits chimiques. Le moteur d'aspiration, les moteurs des pompes et les pompes ne nécessitent aucun entretien planifié ; cependant, les balais des moteurs peuvent nécessiter un remplacement toutes les 1000 à 1500 heures. Les pompes et le clapet de dérivation peuvent nécessiter une remise en état après 500 à 1500 heures (consultez la liste des pièces pour connaître les numéros de référence). Nettoyez le corps avec un détergent universel et protégez-le avec un produit de lustrage pour intérieur d'automobile. Graissez les roues, les roulettes et les raccords rapides avec un spray au silicone universel.

## DÉTECTION DES PANNES

### SI CE PROBLÈME SURVIENT

### VÉRIFIEZ CE POINT

AUCUNE PULVÉRISATION	Réservoir de solution vide. Colmatage de l'embout de vaporisation. Pompe ne fonctionne pas ou non amorcée. Vanne sur la lance ne fonctionne pas.
POMPE NE FONCTIONNE PAS	Vérifiez les balais du moteur de la pompe. Remplacez si nécessaire. Aucun courant vers la pompe. Testez la carte de circuit imprimé qui contrôle la vitesse du moteur.
ASPIRATION FAIBLE	Débris colmatant l'accessoire de nettoyage ou le tuyau d'aspiration. Le robinet de vidange n'est pas totalement fermé ou les joints sont endommagés. Le couvercle d'aspiration n'est pas correctement fixé ou est endommagé.
AUCUNE ASPIRATION	Aucun courant vers le moteur. Testez le flotteur électronique. Testez l'interrupteur. Testez le moteur d'aspiration. Testez la carte de circuit imprimé de l'aspiration. Vérifiez la présence de débris dans le sac pré-filtrant.
CHAUFFAGE FAIBLE	Pulvérisation trop longue. Tentez de vaporiser pendant 12-15 secondes ou environ trois appuis. L'échangeur de chaleur doit être nettoyé. Mauvais accessoire utilisé. Circulation d'une quantité d'eau excessive. Tuyau plus long ou plus large que la normale.
AUCUN CHAUFFAGE	L'échangeur de chaleur n'est pas activé. Soit le témoin vert doit être allumé, soit l'interrupteur de dérivation doit être en position de marche. Aucune électricité au niveau de la prise murale. Vérifiez si le disjoncteur s'est déclenché. Aucune électricité vers l'interrupteur de dérivation. Vérifiez si le câblage est « coupé ». Aucune électricité sortant de l'interrupteur de dérivation. Suivez les étapes de dépannage pour isoler le problème. <b>CONTACTER VOTRE REVENDEUR POUR OBTENIR DE L'AIDE.</b>

## SPÉCIFICATIONS TECHNIQUES (UNITÉ TELLE QU'INSTALLÉE ET TESTÉE)

Modèle	Solus 310
N° de modèle	SOLUS-310 / 56380568
Corps rotomoulé	Garanti à vie
Aspiration	Deux 14,5 cm, 2 étages
Arrêt aspiration	Électronique
Pompe	Volumétrique, sélection Tissu ou Tapis
Élévation	218 cm – 94 LPS
Chauffage	Jusqu'à 100°C
Échangeur de chaleur	2000 watts
Lance	Acier inoxydable, contre-coudée, double embout
Poids	52 kg
Dimensions	61 l x 71 L x 104 H (cm)





## TABLE OF CONTENTS

DESCRIPTION	PAGE
Base Assy .....	D-2 - D-3
Holding Tank Assy.....	D-4 - D-5
Vacuum Tank Assy.....	D-6 - D-7
Plumbing System.....	D-8 - D-9
Water Flow Diagram .....	D-10 - D-11

## WHEN ORDERING PARTS

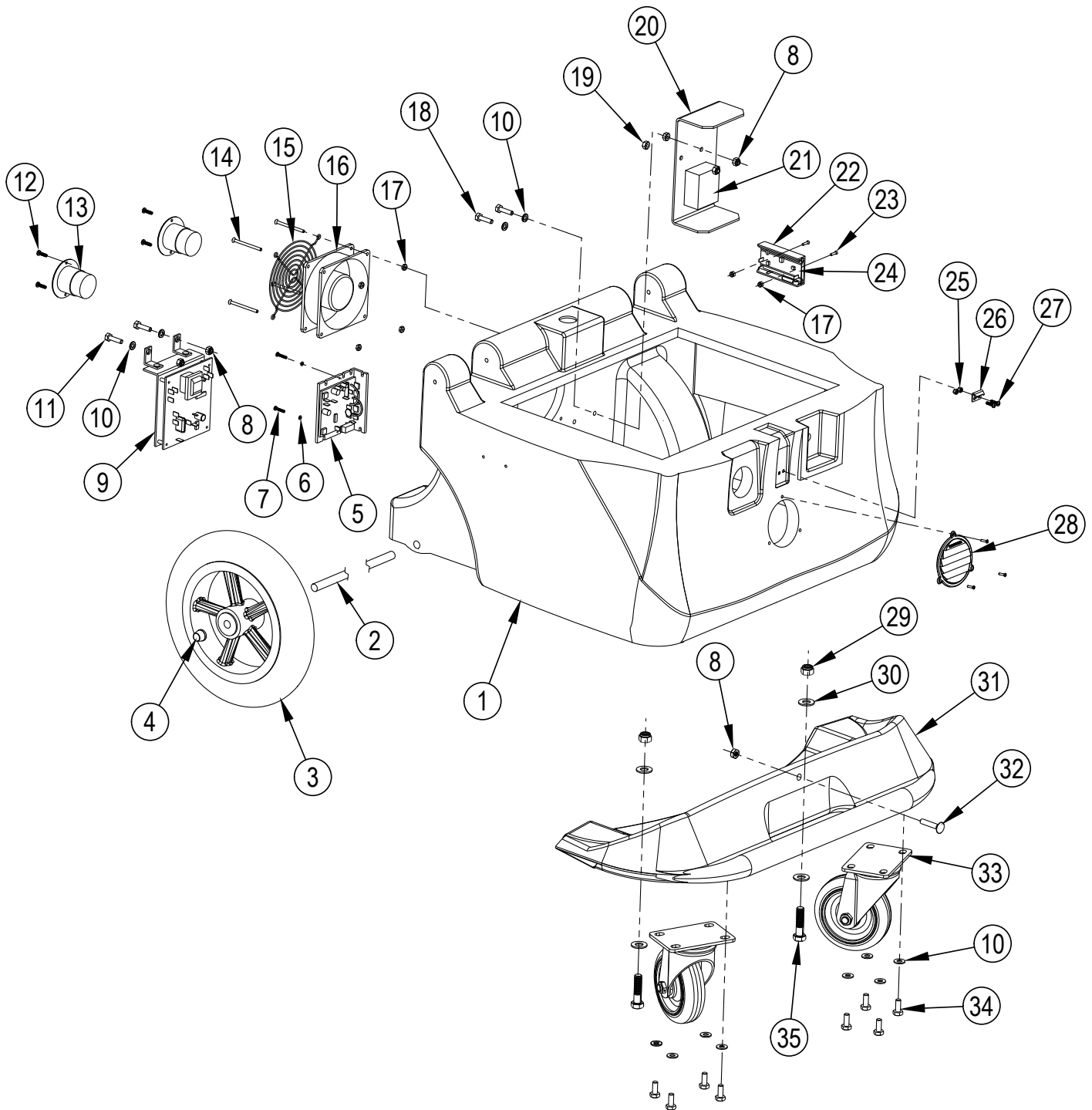
- \* Use the part numbers from the "Ref. No." columns in this parts list. If the "Ref. No." column is blank; look under the "Kit" column to identify which kit contains the part in question, then use the kit callout, for example "K1", to find the "Ref. No." for that kit.

Kit	Item	Ref. No.	Qty	Description
K1	1		16	Washer Flat 3/16 Zinc Plat
K1	2		2	Screw-BHS-Brass-10-32x3/8-MS
K1	3		3	Washer EPDM 7/32 X 1/8
	4	805	1	Chain-Cover
	5	905	2	Caster Swivel 4 Gray Non MA
K1	6		2	Nut, Hex Nyl Loc 10-24
K1	7		3	Scr- Hex SS 1/4-20 X .75
K1	8		16	Scr, Hex Hd Loc 1/4-20 x .50
K1	9		3	Wsh, Flt SS .260 X 1.000 X .074
	10	56113012	1	Solution Tank
	11	56113034	2	Hinge Plate
K1		56113103	1	Kit-Hardware Solution Tank

- \* Specify the model and serial number of the machine.
- \* Use the space below to record the model and serial number for future reference.

Model \_\_\_\_\_ Serial No. \_\_\_\_\_

### BASE ASSY

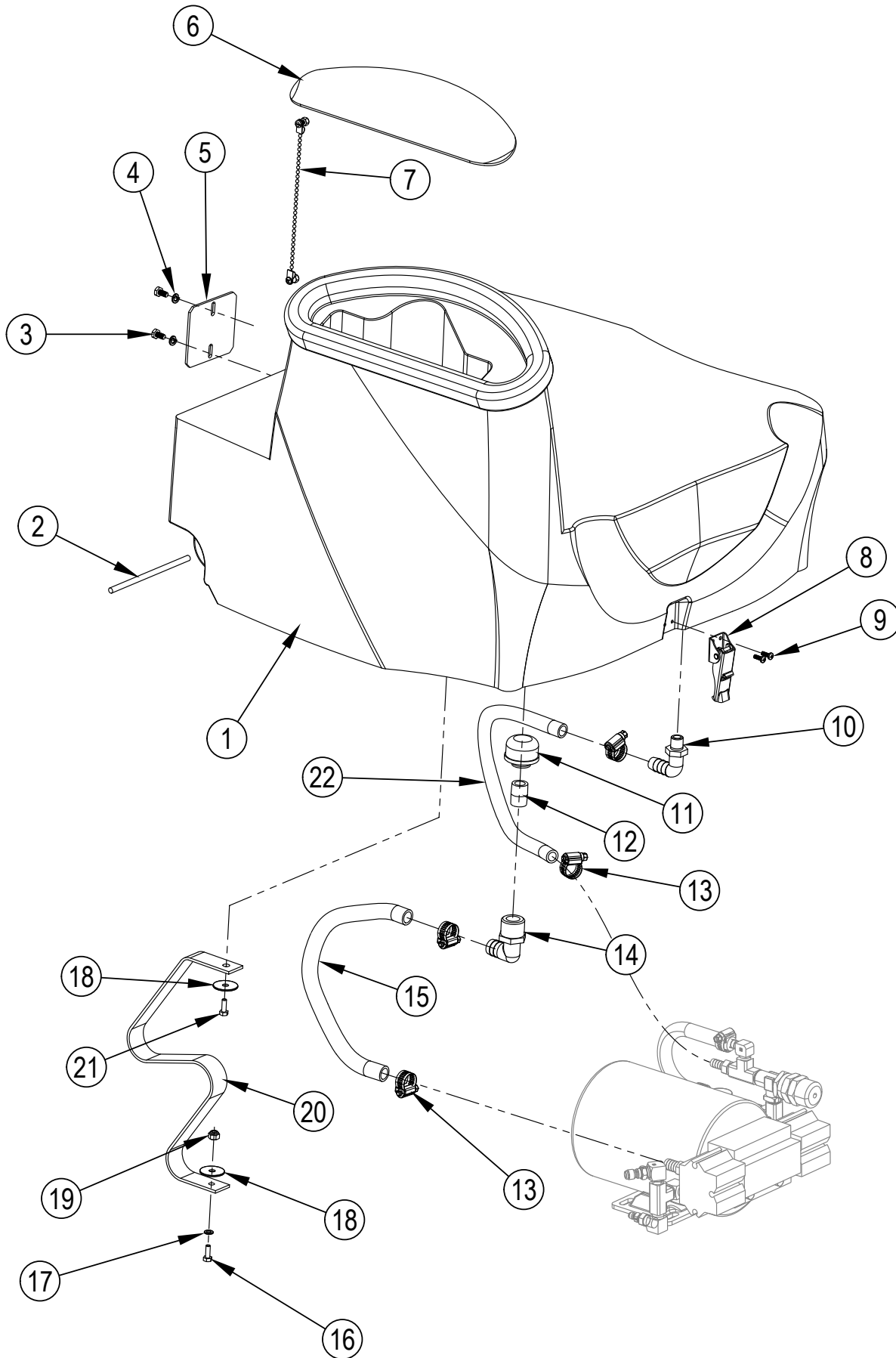


## BASE ASSY

Item	Ref. No.	Qty	Description
	1	1	Base Housing
	2	1	Axel Rod Zinc Plated 1/2 Ro
	3	2	Wheel 12 X 1 Black On Gray 1
	4	2	Axel Cap Black Pal Nut
	5	1	Mtr Spd Board W/.05 Resistor
	6	2	Washer Backup For 3/16 Rive
	7	2	Screw 6-32 X 5/8 Pan Head Ph
	8	5	Nut Nylock 1/4 -20 Zinc Pla
	9	1	Vac Shutoff Circuit Board 120v
	10	12	Washer Flat 3/16 Zinc Plat
	11	2	Bolt Hex 1/4-20 X 3/4 Full
	12	4	Screw Tapping 8 X 5/8 Ab Pan
	13	2	Electrical Inlet Twist Lock Ne
	14	4	Screw 6-32 X 2-1/4 Phillips
K1	15	1	Fan Guard For The 4 Fan
K1	16	1	Fan 4 100cfm 120 Volt Equip
	17	6	Nut Nylon Lock 6/32 Z.P.
	18	2	Bolt Hex 1/4-20 X 1 Full
	19	2	Nut 1/4-20 Finish Zinc Plate
	20	1	Heat Sink Plate For Steam Clea
	21	1	Thermistor Ctrl W/ Probe Pot 1
	[ ]	1	Bolt Hex 1/4-20 X 1-3/4
	[ ]	1	Washer Flat 3/16 Zinc Plat
	[ ]	1	Nut Nylock 1/4 -20 Zinc Pla
	22	1	Snap Track PCB Mount 4 56102
	23	2	Screw 6-32 X 1/2 Oval Head
	24	1	Circuit Board Dual Cord Sensor
	25	2	Nut Nylon Lock 8-32 Stainles
	26	1	Latch Strike For Latch S/S 8
	27	2	Screw 8-32 X 5/8 Panhead
	28	1	Louver 3 Grey Plastic Include
	29	2	Nut Nylon Lock 3/8-16 Stainl
	30	4	Washer 3/8 Uss Flat Zinc Pla
	31	1	Castor Plate Black Solus Undri
	32	1	Bolt Carriage 1/4 X 1 1/4 S/
	33	2	Caster Swivel 4 Gray Non Ma
	34	8	Screw 1/4-20 X 5/8 Hex Co
	35	2	Bolt 3/8-16 X 1 1/2 Hex He
	[ ]	1	Terminal Block Ground Bar 12 (model 56380568)
	[ ]	1	Circuit Breaker 15 Amp Ther (model 56380568)
	[ ]	2	Power Cord 12/3 SJTW 25 Y
K1	FP301	1	Fan Kit 56108096

[ ] = Not Shown

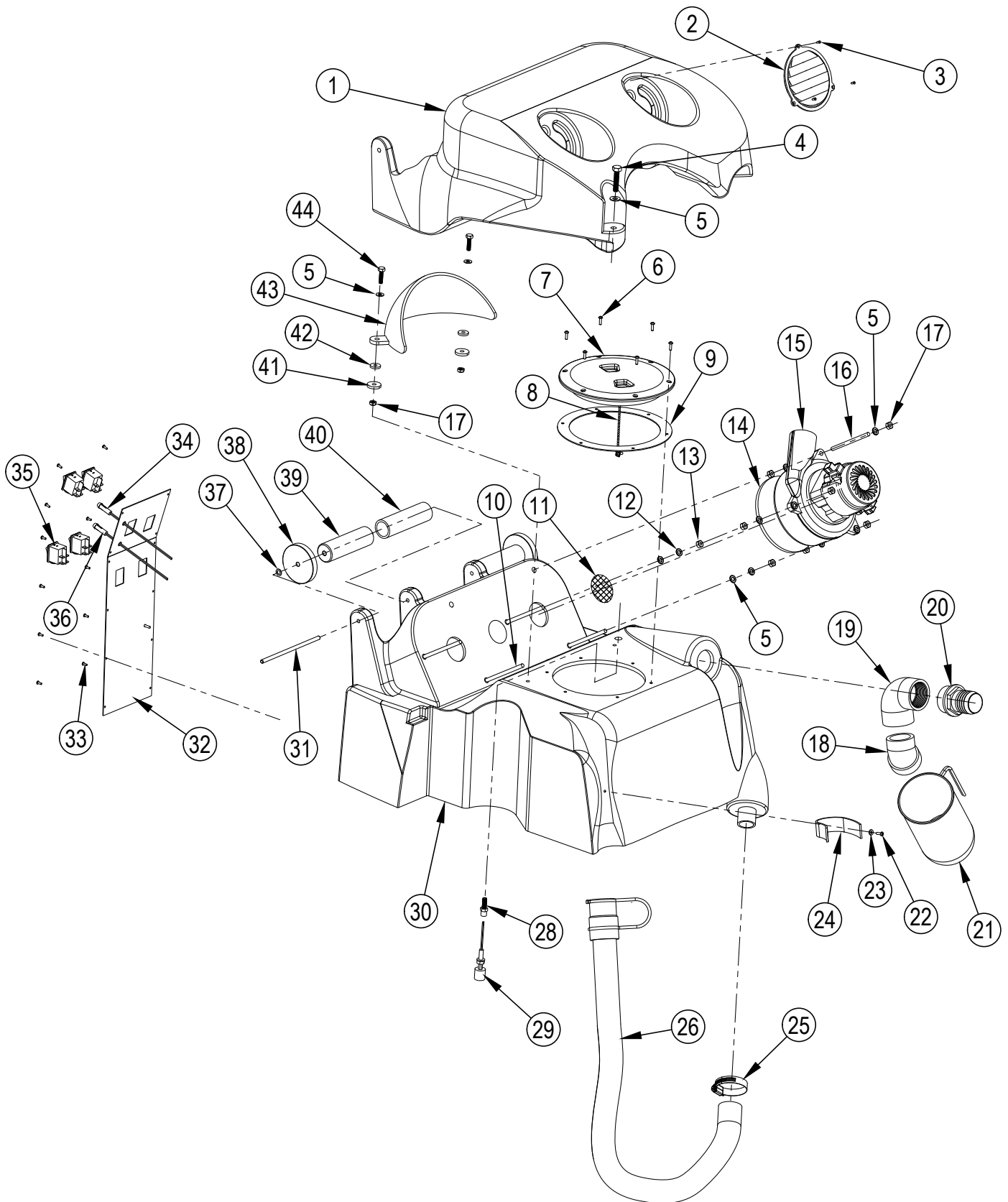
### HOLDING TANK ASSY



## HOLDING TANK ASSY

Item	Ref. No.	Qty	Description
1	FP582	1	Holding Tank
2	801D	2	Rod S/S 1/4 X 4.75 Hinge Pi
3	1097	2	Bolt 1/4-20 X 1/2 Hex S/S
4	137	2	Washer 1/4 Lock Split Zinc
5	4404D	1	Tank Mate Bar 3.5 X 3.29 .
6	FP545	1	Lid Assembly
7	SUB805-A	1	Chain 8 Kc Assb. W/Hardware
8	56471194	1	Latch Assy
9	56003018	2	Screw 8-32 X 3/8 PHN PH SS
10	1115	1	Hose Barb Nylon White 90 Deg
11	207A	1	Filter 40 Mesh S/S 1/2NPT Fem
12	92BUSP	1	Nipple PVC 1/2 N.P.T.
13	166USP	4	Hose Clamp 3/8-7/8
14	1113	1	Hose Barb 90 Degree 1/2 Hos
15	946	15'	Hose 1/2 Id 2 Braid 200 PSI
16	5	1	Bolt Hex 1/4-20 X 3/4 Full
17	14	1	Washer Flat 3/16 Zinc Plat
18	1033	2	Washer Flat 1/4 ID X 1 OD ZI
19	8	1	Nut Nylock 1/4 -20 Zinc Pla
20	1476	1	Strap W/Grommets 3/4 X 17 BL
21	1097	1	Bolt 1/4-20 X 1/2 Hex S/S
22	925	16"	Hose 3/8 Id 0.688 Od Red

### VACUUM TANK ASSY



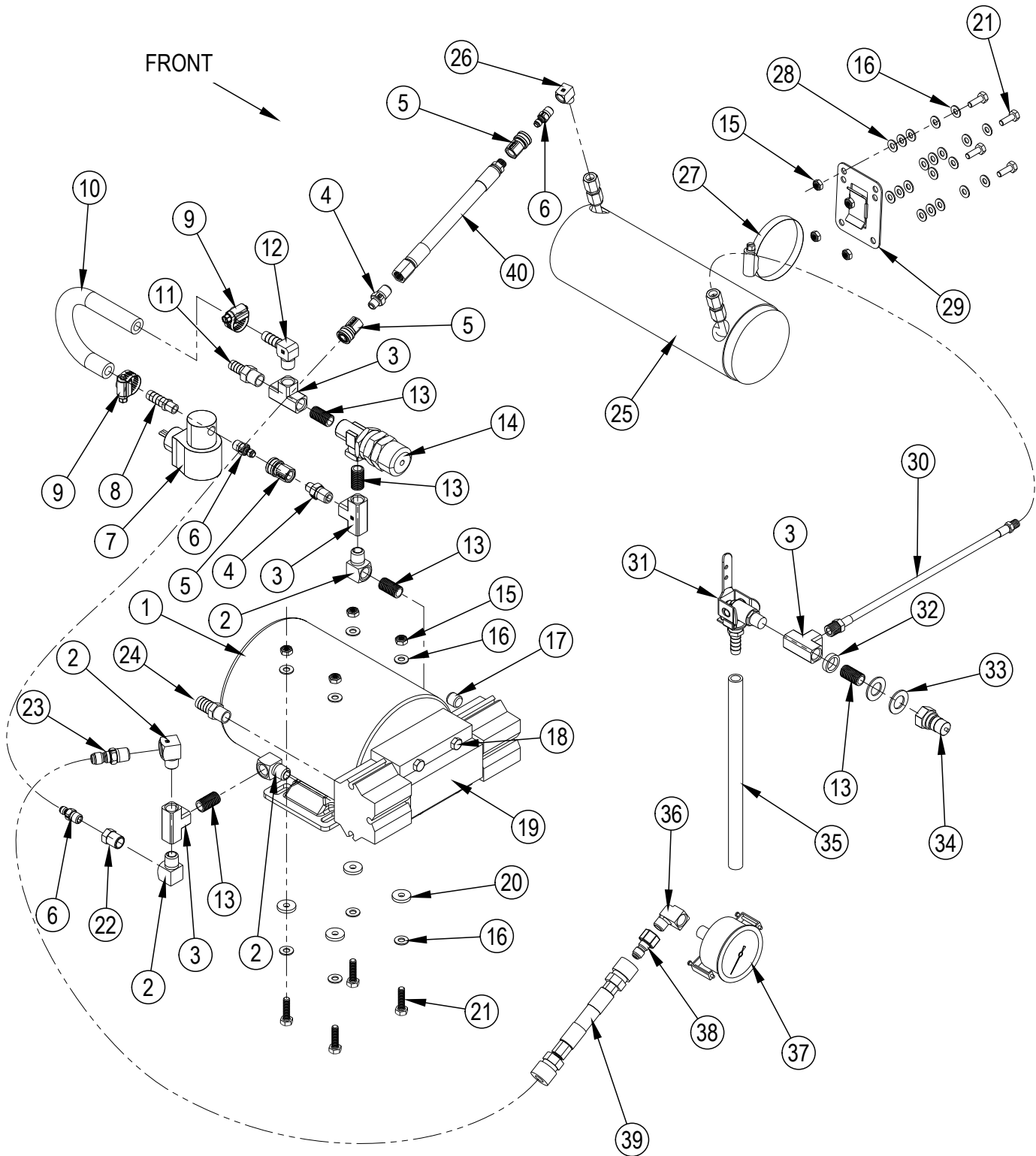
## VACUUM TANK ASSY

Item	Ref. No.	Qty	Description
1	56381333	1	Vac Cover
2	928C	2	Louver 3 Blk Plastic No Flange
3	297	6	Screw 2 X 1/4 S/S Sms Phill
4	138	2	Bolt Hex 1/4-20 X 1 1/4 Zin
5	14	16	Washer Flat 3/16 Zinc Plat
6	1148	6	Screw 8-32 X 1 Panhead P
[ ]	325	6	Nut Nylon Lock 8-32 Stainles
7	2086A	1	Lid-Clear With Ring
8	805USP	1	Chain 8 W/ D Couplings Both E
[ ]	808	1	Screw 6 X 3/8 S/S Trusshead P
9	1074	1	Gasket For Round Lid 2086
10	270	4	Bolt 1/4 -20 X 5 Full Thre
11	1589	2	Screen Mesh 3 Inch Diameter
12	137	4	Washer 1/4 Lock Split Zinc
13	136	10	Nut 1/4-20 Finish Zinc Plate
14	2013A	2	Gasket 1 Side Adhesive 5 1/2
15	408E	2	Vacuum Motor 3 Stage 5.7 99
16	1567	2	Stud Full Thread 1/4-20 X 5
17	8	10	Nut Nylock 1/4 -20 Zinc Pla
18	1524	1	Elbow Abs 1-1/2 1/16 Bend S
19	922USP	1	Elbow 90 Pvc 1-1/2 Slip X F
20	907	1	Hose Barb Fitting Black Abs
21	2146	1	Filter Bag Solus 800 Micron
22	56003018	2	Screw 8-32 X 3/8 PHN PH SS
23	26	2	Washer Backup For 3/16 Rive
24	1130	2	Strap Velcro 1.0 X 11 BLA
25	1518	1	Hose Clamp 3/4 X 1 3/4 SS
26#	56381647	1	Drain Hose
27#			<b>DELETED</b>
28	2145	1	Coupler Nylon Natural 3/8-1
29	2026A	1	Float Level Switch Polypro 3
30	FP594	1	Vac Tank
31	801E	2	Rod S/S 1/4 X 7 Hinge Pin
32	2093C	1	Switchplate Solus-310 Extracto
33	154A	12	Screw 4 X 5/16 Long Panhea
34	78	1	Light Green Small 110v Stea
35	FP578	4	Switch Rocker Dpst Illuminat
36	78BUSP	1	Light Red Small 110v Steam
37	203	2	Washer Nylon White 3/8 Id
38	2105	2	Wheel Handle 2.50 OD X 0.2
39	2106	2	Handle Grip 1.0 OD X 0.257
40	1590	2	Rubber Handle For Solus
41	1033	2	Washer Flat 1/4 Id X 1 Od Zi
42	218	2	Washer Rubber 1/4 Id X 3/4
43	MA10	1	Manifold Vacuum Single Port Up
44	4	2	Bolt Hex 1/4-20 X 1 Full

[ ] = Not Shown

# = Revised or new since last update

# PLUMBING SYSTEM





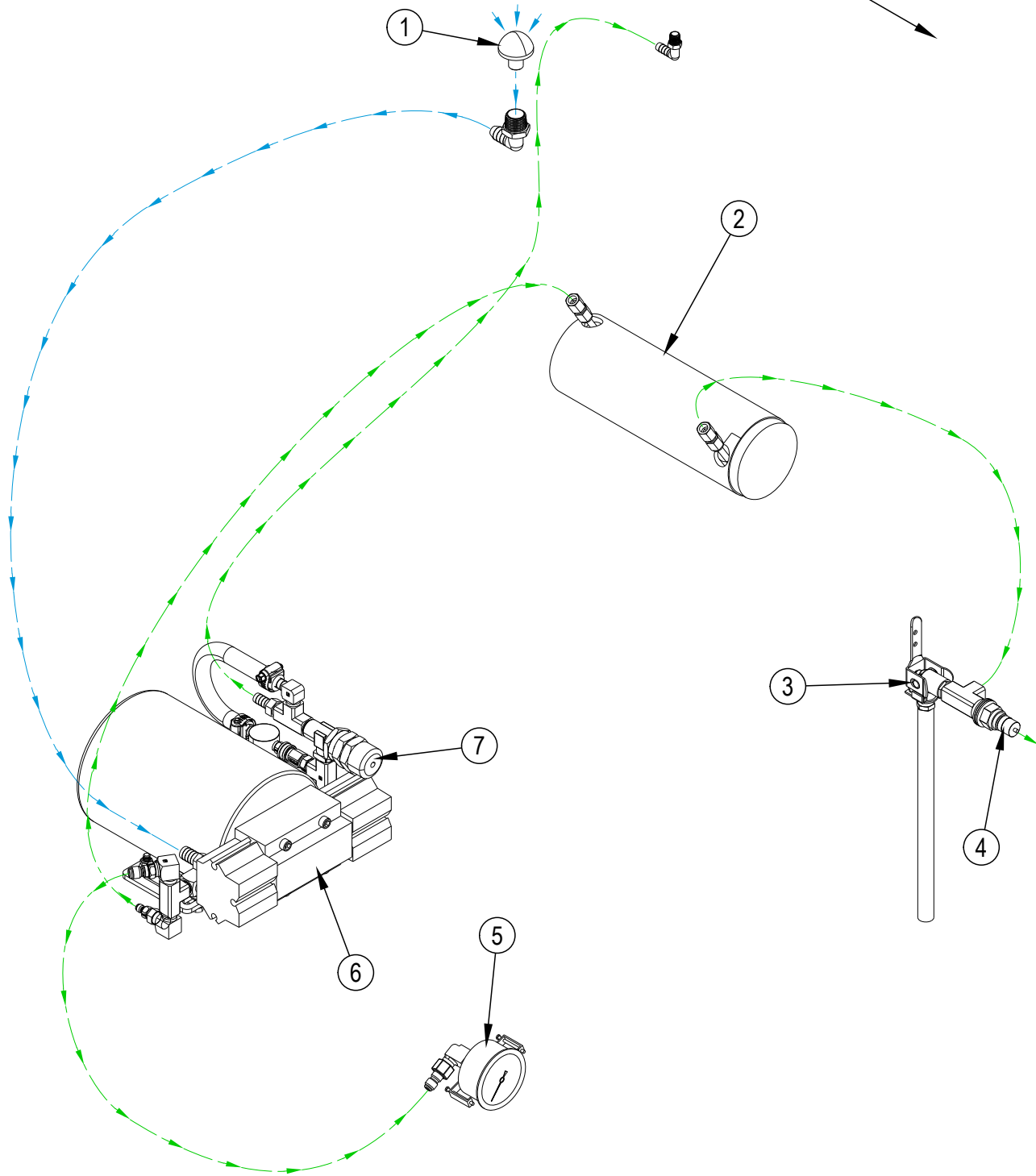
## PLUMBING SYSTEM

Item	Ref. No.	Qty	Description
1	2060	1	Motor A/C 1/3 Hp For 300 Psi P
2	91USP	4	Elbow 90 Deg. Angle 1/4 Male
3	168	4	Tee Brass 1/4 Pipe NOTE 1
4	105USP	2	Reducing Nipple 1/4 X 1/8 Pipe
5	222USP	3	Quick Disconnect Socket Bras
6	223	2	Quick Disconnect Plug Brass
7	2062	1	Solenoid 2-Way Normally Closed
8	208	1	Hose Barb 1/8 Pipe X 3/8 Hose
9	166USP	2	Hose Clamp 3/8-7/8
10	925	8"	Hose 3/8 Id 0.688 Od Red
11	164	1	Hose Barb With Male 1/4 Pipe X
12	1541	1	Hose Barb 90 Brass 3/8 Ba
13	92AUSP	4	Nipple Stainless Steel 1/4 Pip
14	945USP	1	Bypass Valve K W/350psi Spr
15	8	8	Nut Nylock 1/4 -20 Zinc Pla
16	14	12	Washer Flat 3/16 Zinc Plat
17	211	1	Plug Brass Pipe 1/4 Pipe H
18	1147	4	Capscrew 1/4-20 X 2 X 1
19	950F	1	Pump Piston Style 300-500 Ps
[ ]	950CP	1	Rebuild Kit Pump Valves & O-R
[ ]	250USP	1	Rebuild Kit Pump Piston & S
20	218	4	Washer Rubber 1/4 Id X 3/4
21	4	8	Bolt Hex 1/4-20 X 1 Full
22	97	1	Bushing Pipe 1/4 Male Pipe X
23	221USP	1	Quick Connect Plug Brass 1/
24	165	1	Hose Barb 1/4 Pipe X 1/2 Hose.
25	FP637	1	Heat Exch Comp 120v Solus-310
26	103USP	1	Elbow 90 Deg 1/8 X 1/8 P Brass
27	198USP	1	Hose Clamp 48 3-1/2dia 9
28	233	16	Washer Nylon Black 1/4 Id
29	455USP	1	Mount Heat Exchanger
30	313	1	Hose S/S Braided Teflon 1/4
31	1164	1	Valve Power Prime Kc-1200 NOTE 1
32	116A	1	Bushing 3/4 X 9/16
33	115USP	3	Washer Fibre 1x9/16x1/16
34	45USP	1	Quick Disconnect Plug 1/4 Npt
35	56382563	1	Hose - PVC NOTE 1
36	216	1	Elbow 1/4 Street 90 Deg. Br
37	2165	1	Gauge Pressure 1000 Psi 2-
38	219USP	1	Quick Connect Brass 1/4 Fpt
39	FP542	1	Hose Assembly Pump To Gauge S
40	1278A	1	Hose Hydraulic 20 Total Le

NOTE 1: As of September 2011 the following items have been added at a quantity of 1 each; Valve 1164, Tee 168, Hose 56382563.

### WATER FLOW DIAGRAM

FRONT



**WATER FLOW DIAGRAM**

Item	Ref. No.	Qty	Description
1			Fresh Water Inlet Filter
2			Heat Exchanger
3			Pressure Relief Valve
4			310PSI Quick Connect
5			Pressure Gauge
6			310PSI Pump
7			Unloader Valve

BLUE = FRESH WATER

GREEN = 310PSI WATER FLOW



425-322-0133 / 800-257-7982 / FAX: 425-322-0136  
11015 - 47th Ave. W. / Mukilteo, WA 98275  
VISIT US AT: <http://www.usproducts.com>