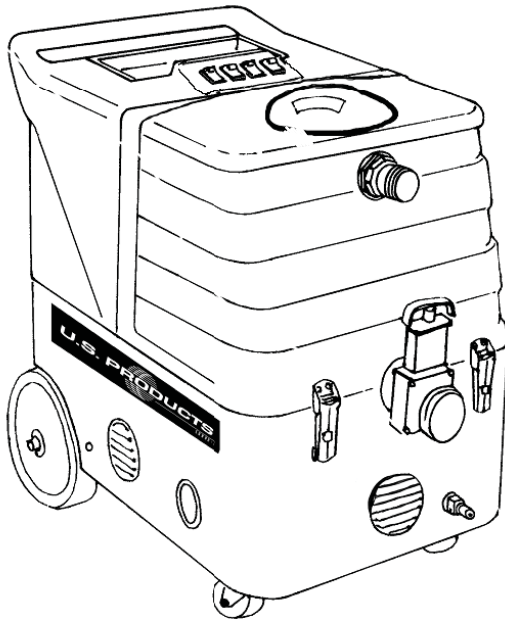




COBRA[®]-C1 EXTRACTOR 120V



INFORMATION & OPERATING INSTRUCTIONS



**DO NOT OPERATE MACHINE UNTIL YOU HAVE READ
ALL SECTIONS OF THE INSTRUCTIONS**

IMPROPER USE OF THE MACHINE WILL VOID THE WARRANTY

1. Always use a defoamer when foaming occurs to prevent vacuum motor damage.
2. Keep machine from rain and snow, extremes in temperatures, and store in a heated location. Use the machine indoors. Do not use outdoors.
3. Do not let the pump run dry.
4. Use approved chemicals only. NO SOLVENTS.
5. Wear gloves or use rags when removing quick disconnects to prevent burns.
6. Never use water above 130 °F/54 °C in the solution tank.

IMPORTANT SAFETY INSTRUCTIONS

This machine is only suitable for commercial use, for example in hotels, schools, hospitals, factories, shops and offices other than normal residential housekeeping purposes.

When using any electrical appliance, basic precautions should always be followed, including the following:

NOTE: Read all instructions before using this machine.



WARNING!

- To reduce the risk of fire, electric shock, or injury:
- Do not leave the machine unattended when it is plugged in. Unplug the unit from the outlet when not in use and before servicing.
- To avoid electric shock, do not expose to rain or snow. Store, and use, indoors.
- Do not allow to be used as a toy. Close attention is necessary when used near children.
- Use only as described in this manual. Use only the manufacturer's recommended attachments.
- Never add water over 130 °F/54 °C to the solution tank.
- Do not use with damaged cord or plug. If the machine is not working as it should, has been dropped, damaged, left outdoors or dropped into water, return it to a service center.
- Do not pull by the cord, use the cord as a handle, close a door on the cord, or pull the cord around sharp edges or corners. Do not run the machine over the cord. Keep the cord away from heated surfaces. To unplug, grasp the plug, not the cord.
- Do not handle the plug, the cord, or the machine with wet hands.
- Extension cords must be 12/3 and no longer than 50 feet. Replace the cord or plug immediately if the ground prong becomes damaged.
- Do not put any object into openings. Do not use with any opening blocked; keep free of dust, lint, hair, and anything that may reduce air flow.
- Keep loose clothing, hair, fingers, and all parts of body away from openings and moving parts.
- Do not pick up anything that is burning or smoking, such as cigarettes, matches, or hot ashes, or any health endangering dusts. Do not use to pick up flammable or combustible liquids such as gasoline or use in areas where they may be present.
- Turn off all controls before unplugging.
- Use extra care when cleaning on stairs.
- Connect to a properly grounded outlet only.
- Liquid ejected at the spray nozzle could be dangerous as a result of its temperature, pressure, or chemical content.

INSPECTION:

Carefully unpack and inspect your COBRA-C1 for shipping damage. Each machine is tested and inspected before shipping. Any shipping damage incurred is the responsibility of the carrier. You should notify the carrier immediately if you notice damage to the box or to the machine or parts.

CLEANING SOLUTIONS:

We recommend liquid cleaning chemicals. Powder chemicals may be used, but unless mixed very thoroughly they could cause a build-up in the pump, lines, and/or quick disconnects. Any problem caused by a chemical build-up is not covered by warranty. Use a neutral cleaner with a pH between 5 and 10 to avoid premature wear of the pump, seals, and/or other components. Damage caused by the use of strong chemicals is not covered by the warranty.

MAINTENANCE:

For optimum performance flush the machine with clear water at the end of each working day. Once a month, minimum, run a flushing compound through the machine to break up any mineral or chemical build-up that may have formed. The vacuum motors and the pump do not require any scheduled maintenance; however, the vacuum motors may require replacement brushes after 1000 - 1500 hours. Clean the body with an all purpose detergent, and protect it with an automobile interior polish. Lubricate the wheels, castors, and quick disconnects with an all purpose silicone spray.

RECORD AND KEEP THE FOLLOWING INFORMATION

Serial Number: _____

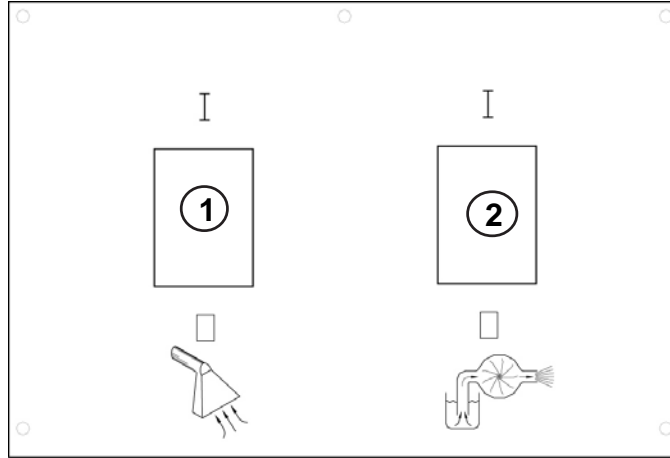
Model: COBRA-C1

Purchase Date:_____

Write the name and phone number of your distributor:

(And don't forget to register your purchase to activate your warranty)

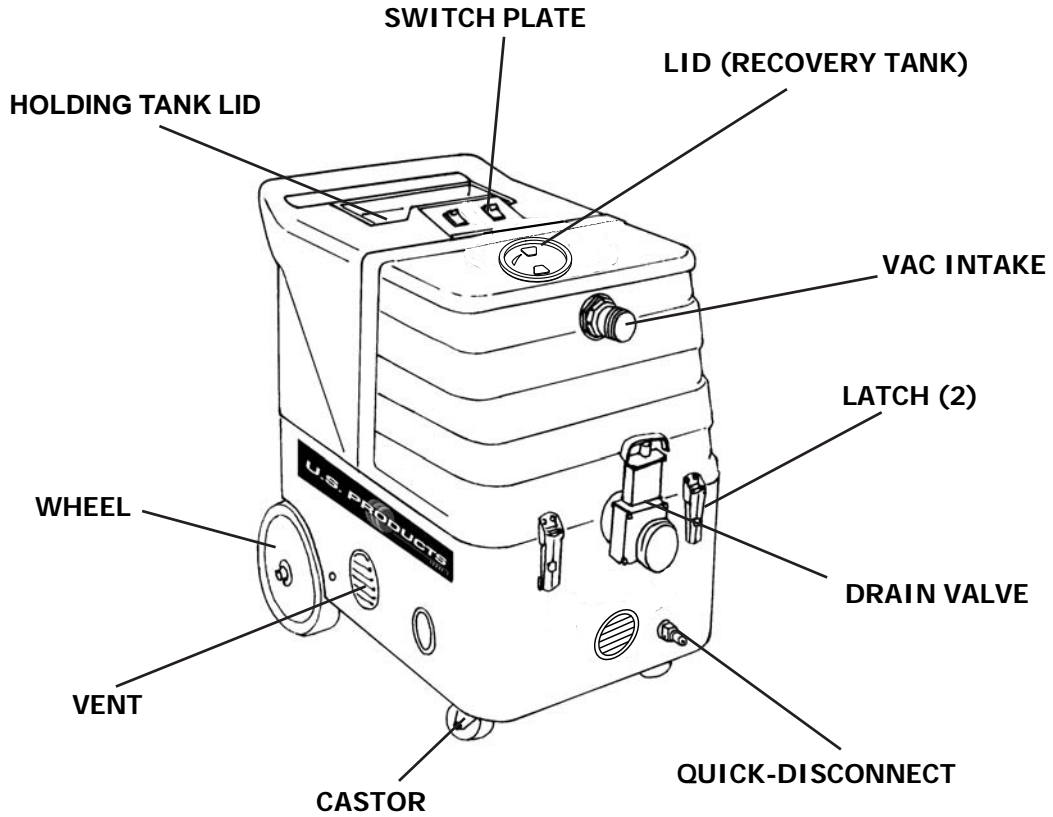
SWITCH PLATE



1 = VACUUM ON/OFF SWITCH

2 = PUMP ON/OFF SWITCH

COBRA-C1



Refer to the drawings on the previous page

OPERATION

- 1 Inspect the machine, hoses, and cleaning tools for cleanliness and completeness.
- 2 Fill the solution tank with water. Using warm water may be a benefit in cleaning effectiveness, but do not use hot water (above 130 °F / 54 °C) in the tank.
- 3 Plug in the power cord.
- 4 Add liquid cleaning solution, with a pH of between 6 and 9, to the solution tank. Mix it well.
- 5 Attach the spray hose to the solution quick disconnect and the vacuum hose to the hose barb on the recovery tank. Pull the hoses off the reel to the desired length. Attach the other ends of the hoses to the cleaning tool.
- 6 Turn on the pump (2). Turn on the vacuum (1).
- 7 Begin cleaning using the correct hoses and tool.
- 8 Use defoamer in the recovery tank any time foaming occurs.
- 9 Monitor the water level in the solution tank. Do not let the pump run dry.
- 10 When the solution tank gets low, turn both the pump and the vacuum off, fill the solution tank, empty and clean the recovery tank.
- 11 When finished with the job, remove any unused solution from the solution tank, and run a few gallons of clean water through the system. Drain the recovery tank by placing a bucket or drain under the drain gate.

BALL FLOAT VACUUM SHUT-OFF

Prior to using the machine, always check that the float filter is clean and the ball can travel freely. When the recovery tank is full, the ball float will rise and will shut off the vacuum flow to prevent any more water from entering the tank. When this occurs, turn off the vacuum and empty the recovery tank.

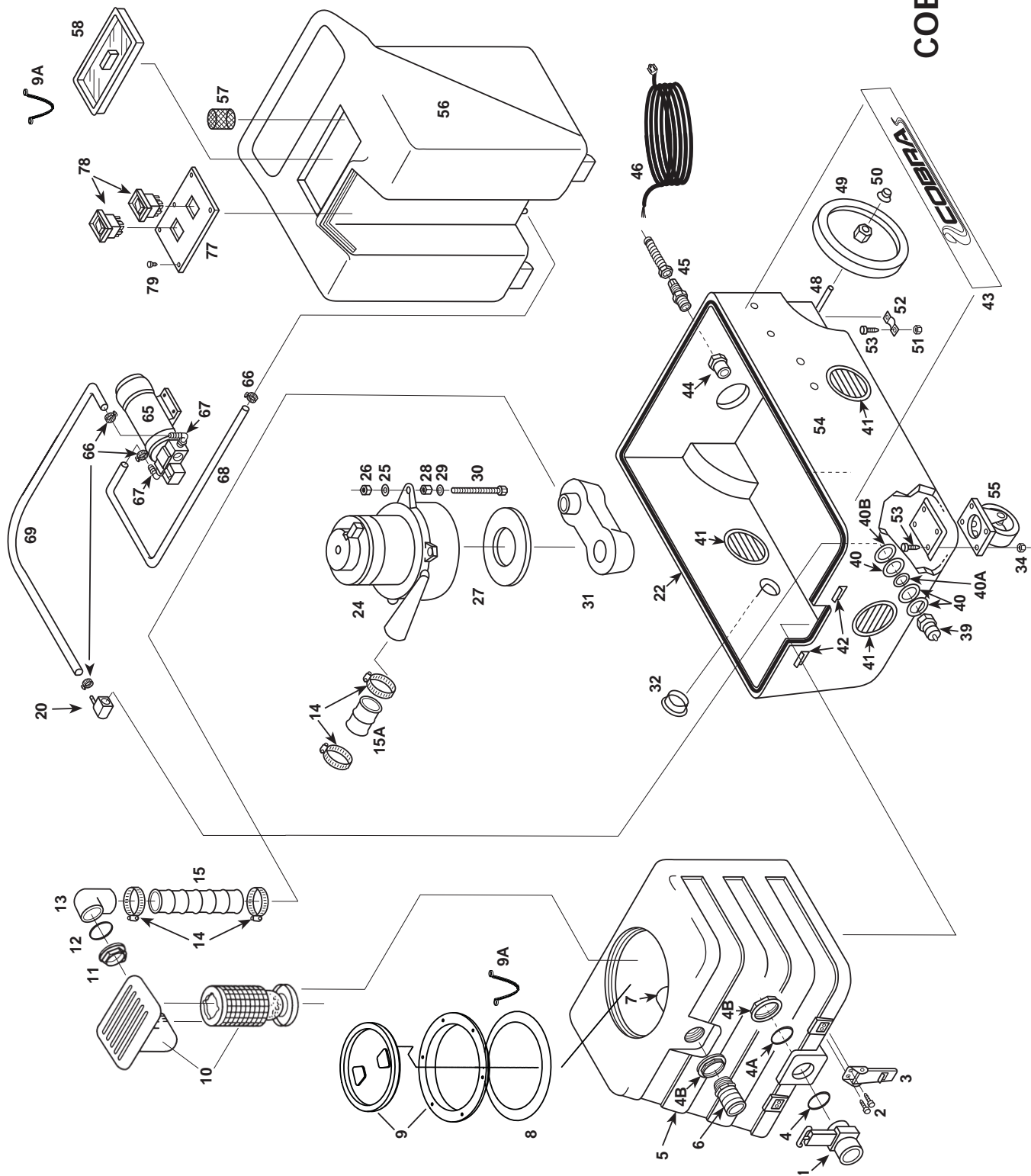
NOTE: if foam is present, or if the ball float is prevented from rising, the float will not be able to stop the air flow, and the tank may over fill. Water damage to the vacuum motors is not covered by warranty.



CAUTION: to avoid vacuum motor damage, always use a defoamer any time foam is present.

COBRA-C1

120 V
03/2010



COBRA-C1

PART LIST 120V

<u>ITEM</u>	<u>PART</u>	<u>DESCRIPTION</u>	<u>ITEM</u>	<u>PART</u>	<u>DESCRIPTION</u>
1	903	Drain gate	49	2003	Wheel, 8"
2	21C	Screw, 8-32 X 5/8"	50	27A	Axle Cap
3	908	Latch	51	8	Lock nut, 1/4-20
4	187	O-Ring	52	180	Axle bracket
4A	187B	Washer, rubber	53	5	Bolt, 1/4-20 X 3/4"
4B	185	Nut, Aluminum, 1-1/2"	54	BS-6	Base, black
5	VT-2	Vacuum Tank, White	55	2002	Castor, 3"
6	907	Hose Barb, 1-1/2"	56	HT-2	Holding Tank, white
7	921	Elbow, PVC	57	207A	Filter, 40 Mesh, S/S
8	1074	Gasket, Lid, vacuum	58	901	Lid, tinted
9	2086A	Lid, clear, 6", with ring	65	2007	Pump, 100 psi
10	FP193	Manifold, with Ball/Cage	66	166	Hose Clamp
11	185	Nut, Aluminum, 1-1/2"	67	108A	Hose Barb/Elbow
12	187	O-Ring	68	925	Hose, pump Inlet , 3/8" I.D.
13	922	Elbow, PVC	69	925	Hose, pump outlet, 3/8" I.D.
14	156	Hose Clamp	74	CWBLK	Cord Wrap, black
15	430B	Hose, 2" X 21"	75	203	Washer, flat, Nylon
15A	430	Hose, 2" X 3"	76	260	Nut, Acorn
17	76	Hose Clamp	77	2005E	Switch plate
20	91	Elbow	78	FP311	Switch, rocker, with cover
22	FP228B	Gasket	79	28	Screw, #4 X 3/8"
24	408B	Vacuum Motor, 3-stage			
25	14	Washer, flat			
26	8	Lock nut, 1/4-20			
27	2013A	Gasket, vacuum			
28	136	Nut, finish			
29	14	Washer, flat			
30	270	Bolt, 1/4 X 5"			
31	MA-6	Manifold, vac motor, black			
32	440	Exhaust Flange			
34	8	Lock nut, 1/4-20			
39	45	Quick Disconnect, male, 1/4 p.t.			
40	115	Washer, fiber			
40A	116A	Bushing, fiber			
40B	31	Washer, flat, brass			
41	928	Louver, 3", includes screws			
42	909A	Strike, for latch			
43	2001	Label, Cobra			
44	937	Reducer Bushing, PVC			
45	184	Cord Retainer, flexible			
46	495A	Power cord, 25 ft			
47	801C	Hinge pin			
48	910-16.93	Axle Rod, 17"			

COBRA-C1 EXTRACTOR

120V

TROUBLESHOOTING:



ALWAYS UNPLUG THE MACHINE BEFORE DISCONNECTING OR CONNECTING ANY WIRES OR COMPONENTS.

IF THIS CHECK THIS

NO SPRAY	Solution tank is empty. Clogged spray tip. Pump not running. Valve on wand not operating
PUMP DOES NOT RUN	No power to pump. Test the switch. Test the pump motor. Replace if necessary.
LOW SUCTION	Debris plugging cleaning tool or vacuum hose. Drain gate is not completely closed, or seals are damaged. Vacuum lid is not closed or gasket is damaged.
NO SUCTION	No power to motor. Test the switch. Test the vacuum motor. Wrong tool being used.

SPECIFICATIONS:

Rotomolded Body: Lifetime Warranty
Vacuum: 3-stage
VAC Shutoff: Ball float
Pump: Demand pump, 100 psi
Waterlift: 140"
Wand: Stainless steel, single bend, twin tip
Weight: 69 lbs.
Dimensions: 25.5H x 18W x 28.75L (inches)



208-772-0573 · 800-257-7982 · FAX: 208-772-0577

VISIT US AT: <http://www.usproducts.com>