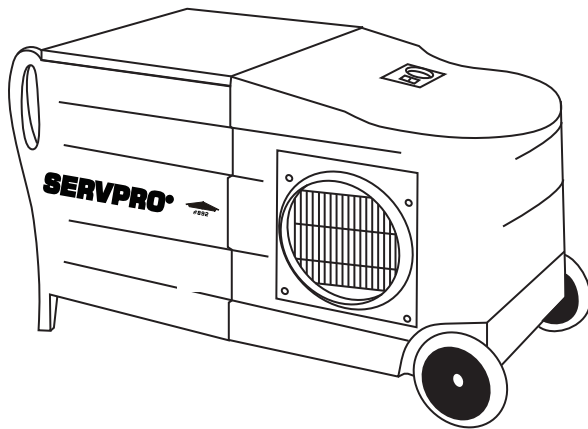


SERVPRO®

#892 AIR SCRUBBER

120V



INFORMATION & OPERATING INSTRUCTIONS



CAUTION: DO NOT OPERATE MACHINE UNTIL YOU HAVE READ ALL SECTIONS OF THIS INSTRUCTION MANUAL

IMPROPER USE OF THE MACHINE WILL VOID THE WARRANTY

1. NEVER use the Air Scrubber without both the HEPA and the primary filter installed.
2. Use the Air Scrubber indoors only, and only for its designed purpose.
3. Always follow EPA approved guidelines for site preparation and contaminant disposal.
4. NEVER clean or re-use a HEPA filter. Handle and dispose of the HEPA filter as you would other hazardous waste.
5. Keep the air inlet and outlet at least one foot from walls or other obstructions.
6. Plug the machine into a grounded 15 amp or greater outlet.

IMPORTANT SAFETY INSTRUCTIONS

This machine is only suitable for commercial use, for example in hotels, schools, hospitals, factories, shops and offices other than normal residential housekeeping purposes.

When using any electrical appliance, basic precautions should always be followed, including the following:

NOTE: Read all instructions before using this machine.

WARNING!

To reduce the risk of fire, electric shock, or injury:

- Connect to a properly grounded outlet only.
- Exhausting air from an area containing open flame appliances (fireplace, gas hot water heater or furnace, etc) can cause a "back-draft" effect. An air pressure differential can cause the flames to burn low without consuming all the gas. This can contaminate the area with hazardous gases, as well as cause a potentially explosive condition. When in this situation you must (1) seriously limit the amount of air exhausting from the area to prevent a negative pressure. Open flame appliances must be closely monitored to insure that no back-draft occurs while the Patriot is being used, or (2) allow, or direct, the outlet air back into the area with the open flame device. This will keep the pressure in the treatment area normal and prevent a back-draft situation.
- Do not leave the machine unattended when it is plugged in. Unplug the unit from the outlet when not in use and before servicing.
- To avoid electric shock, do not expose to rain or snow. Store, and use, indoors.
- Do not allow to be used as a toy. Close attention is necessary when used near children.
- Do not use with damaged cord or plug. If the machine is not working as it should, has been dropped, damaged, left outdoors or flooded with liquid, return it to a service center.
- Do not handle the plug, the cord, or the machine with wet hands.
- Extension cords must be 12/3 and no longer than 50 feet.
- Do not put any object into openings. Do not use with any opening blocked.
- Keep loose clothing, hair, fingers, and all parts of body away from openings and moving parts.
- Turn off all controls before unplugging.

INSPECTION:

Carefully unpack and inspect the Air Scrubber for shipping damage. Each unit is tested and inspected before shipment. Any damage incurred during shipping is the responsibility of the carrier, whom you should notify immediately.

FILTERS:

The Air Filter must be used with the HEPA air filter and the Primary Filter. The HEPA Filter has an efficiency rating of 99.97% in the removal of particles as small as 0.3 microns. The Primary filter catches larger particles to prevent the early loading of the HEPA filter. Additionally, two optional Filters are available: a Secondary 2" Pleated Filter can be used between the Primary and HEPA Filters for increased large particle reduction, and a 2" Carbon Filter may be used between the Primary Filter and the Secondary (pleated) Filter. NOTE: always use the Secondary Pleated Filter between the Carbon Filter and the HEPA filter to avoid premature loading of the HEPA filter.

MAINTENANCE:

Change filters as needed. Check the red "Check Filter" light while the Air Scrubber is running on high speed. Do not allow dirty filters to recontaminate area. Before each job, inspect filters and gaskets to make sure they are ready for use. Clean the body with an all purpose detergent, and protect it with a common auto interior protectant. Lubricate the wheels as needed.

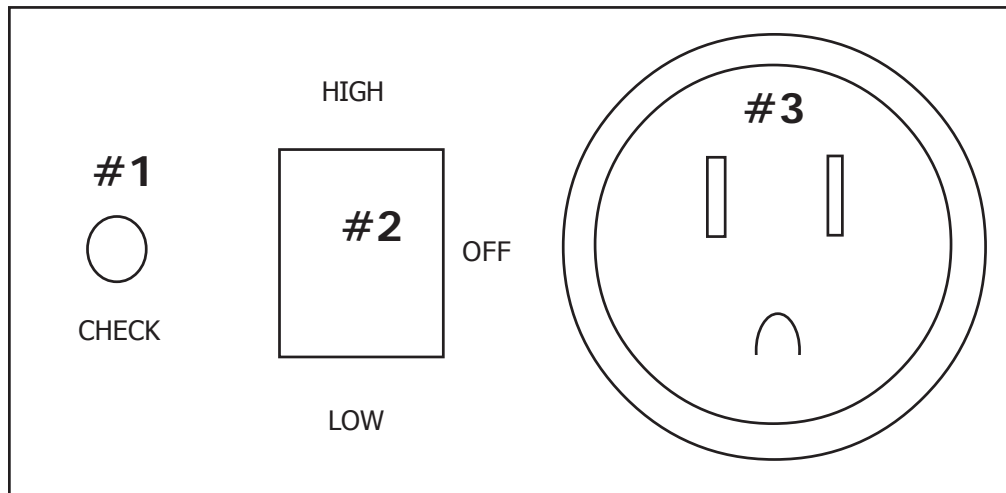
Record the serial number and model of your new machine here:

(and be sure to register your purchase to active your warranty)

Serial Number: _____ **Model:** Air Scrubber, #892

Purchase Date: _____

Write the name and phone number of your distributor: _____



CHECK FILTER LIGHT (1): This light will come on when the filters are loaded and need to be replaced. Always check the light with the switch on the HIGH setting. Turn the machine off to change filters.

HIGH / LOW SWITCH (2): This is the main power switch; it has three positions: HIGH / OFF / LOW. The fan is turned OFF when the switch is in the center position. Set the fan for 2200 CFM by selecting HIGH and select 1400 CFM by setting the switch to LOW.

CORD RECEPTACLE (3): This is where you connect the power cord. Connect the cord here before connecting it to a wall outlet. Make sure the switch is in the OFF (center) position when connecting power.

After setting up the treatment area and the Patriot -- according to EPA guidelines -- prepare to turn the machine on.

CAUTION: Occupants of the treatment area must evacuate or wear approved protective covering.

1. Turn the power switch OFF.
2. Check the filters and the gaskets to ensure proper installation, cleanliness, and seal.
Change filters as necessary -- indicated by the "Check Filter" light or as directed by the Hygienist.
3. Close the lid and secure it tightly with the latches.
4. Connect the power cord to the receptacle in the control panel. Inspect for damage. Do not use the cord if it is damaged. **CAUTION:** Make sure the switch is OFF before connecting the cord.
5. Route the power cord so it is out of the way, out of any water, and not rubbing anything.
6. Plug the cord to a grounded, 120V outlet.
7. Set the switch to HIGH or LOW for either 1400 CFM or 2200 CFM.

WARNING: Always turn the machine off and disconnect the power cord before changing filters.

WARNING: Wear NIOSH approved respirator and other protective covering.

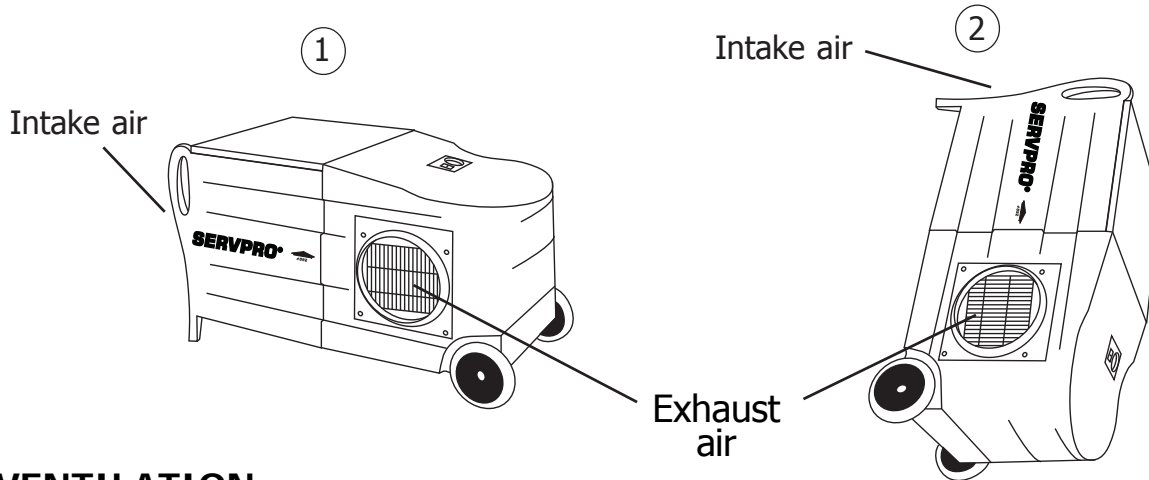
CAUTION: Filters must be changed inside the treatment area, and disposed of properly.

SET-UP:

The Air Scrubber can be operated while sitting flat on the floor (#1) or in an upright position (#2), as shown below. Place the machine as shown in Figure 1 for large, open areas, or locations near the same height as the machine. Use the upright position for areas that are high above the location of the machine, such as ceiling ductwork or attic areas.

Use either wire reinforced ducting or layflat plastic tubing for Inlet and outlet air ducting, as needed.

NOTE: The exhaust air must not be allowed to flow into uncontaminated or occupied areas.



VENTILATION:

The Environmental Protection Agency (EPA) recommends one air exchange every fifteen minutes (four times each hour). To establish the total air flow requirements:

Calculate the total volume of the contaminated area. Multiply width X length X height.

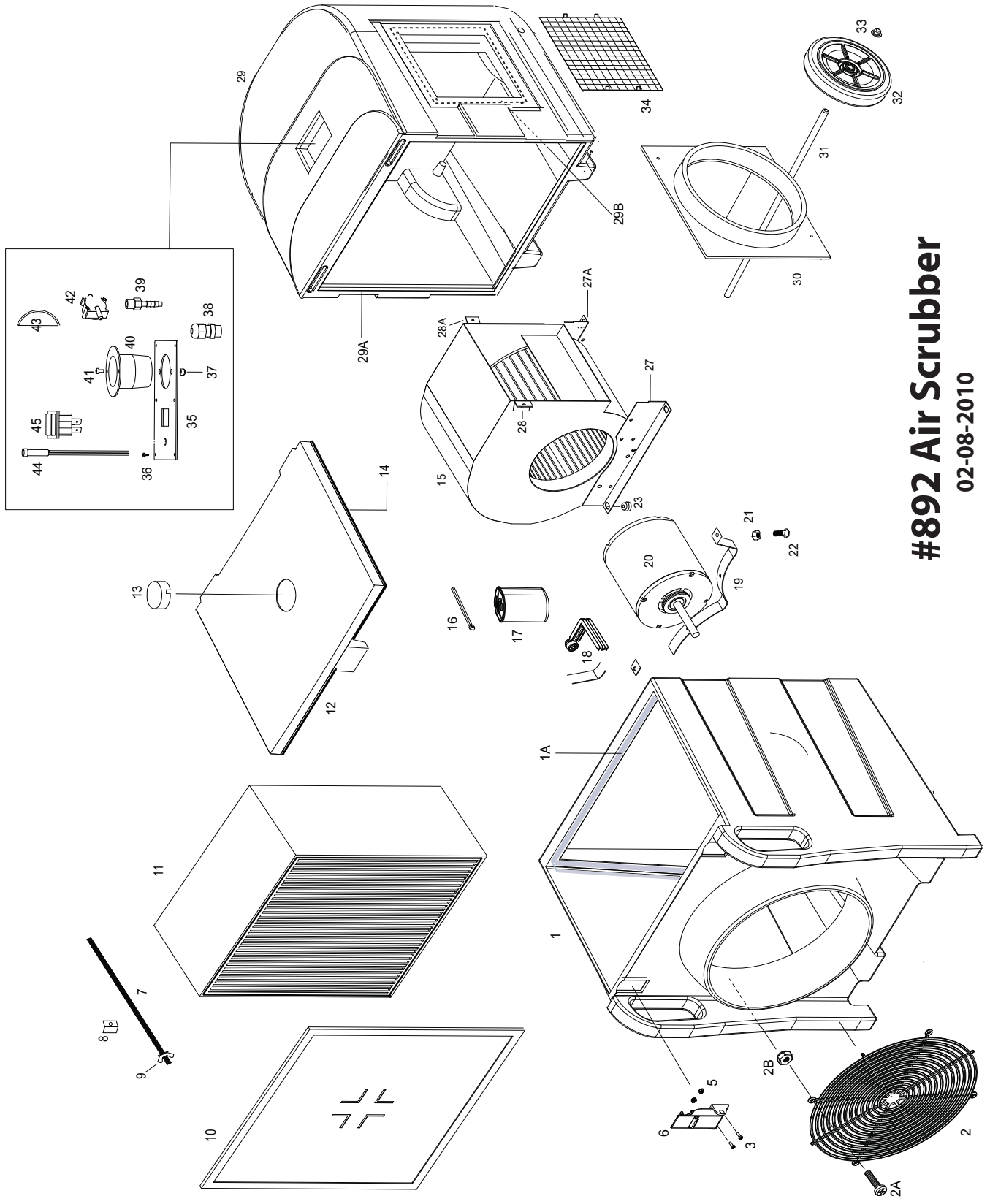
Example: 60 ft long, 30 feet wide, 10 feet high

$60 \times 30 \times 10 = 18000$ cubic feet

$18000 / 15$ minutes = 1200 cubic feet per minute (CFM)

This is the minimum recommended rate at which the air should flow through the Air Scrubber. The machine has two speeds, High (2200 CFM) and Low (1400 CFM). Use this calculation to determine which setting to use.

WARNING: exhausting air from an area containing open flame appliances (fireplace, gas hot water heater or furnace, etc) can cause a "back-draft" effect. An air pressure differential can cause the flames to burn low without consuming all the gas. This can contaminate the area with hazardous gases, as well as cause a potentially explosive condition. When in this situation you must (1) seriously limit the amount of air exhausting from the area to prevent a negative pressure -- **CAUTION:** open flame appliances must be closely monitored to insure that no back-draft occurs while the Patriot is being used, or (2) allow, or direct, the outlet air back into the area with the open flame device. This will keep the pressure in the treatment area normal and prevent a back-draft situation.



#892 Air Scrubber

02-08-2010

#892 AIR SCRUBBER

120V

PART LIST

<u>ITEM</u>	<u>QTY</u>	<u>PART No.</u>	<u>DESCRIPTION</u>	<u>ITEM</u>	<u>QTY</u>	<u>PART No.</u>	<u>DESCRIPTION</u>
1	1	ASFH-2	Filter Housing, green	29A	1	002050	Gasket, 1/4" X 92"
1A	1	1014A	Extrusion	29B	1	2050B	Gasket, 3/8" X 44"
2	1	1017	Guard, wire form, 18"	30	1	N/A	Part of Fan Housing
2A	4	5	Bolt, 1/4-20 # 3/4"	31	1	910-22.63"	Axle, 1/2" O.D. X 22.63"
2B	4	8	Lock nut, 1/4-20	32	2	2003	Wheel, 8"
3	4	21C	Screw, 8-32 X 5/8"	33	2	27A	Axle cap
5	4	325	Lock nut, 8-32	34	1	1019	Guard, wire form, 12"
6	2	908	Latch	35	1	1002	Switch plate
7	4	1036A	Rod, filter retaining, 14-1/2"	36	6	1009	Screw, 1/4-20 X 5/8"
8	4	1043	Bracket, filter retaining	37	2	16	Lock nut
9	4	9	Nut, wing, 1/4-20"	38	1	230	Cord retainer
10	1	1015	Filter, pre, ring pan, 24" X 24" X 1"	39	1	1027	Hose Barb
11	1	1014C	Filter, HEPA, 23-3/8" X 23-3/8"	40	1	1003	Recepticle, power cord
12	1	AS-Lid- SP	Lid, white	41	2	1152	Screw, 6-32 X 1/2"
13	1	183	Plug, for lid	42	1	1004	Sensor, pressure
14	1	1043A	Gasket, 3/8" X 94"	43	1.5"	416	Tubing, 3/16" I.D.
15	1	1007A	Blower and Housing	44	1	78B	Light, red, 115V
16	2	79	Wire tie	45	1	1005	Switch, ON-OFF-ON
17	1	1013	Capacitor, 30μ fd				
18	4	1012A	Mounting leg, motor				
19	1	1011A	Band, leg mounting, four position				
20	1	1006	Motor, 1-3/4 HP, 2-Speed, 115Volt				
21	4	7	Lock nut, 5/16 X 4"				
22	4	1032	Bolt, 5/16-24 # 2"				
23	4	1010	Foot pad, rubber				
27	1	1008A	Mount leg, fan housing, left				
27A	1	1008	Mount leg, fan housing, right				
28	1	1020L	Brace, fan housing, left				
28A	1	1020R	Brace, fan housing, right				
29	1	ASFAN-2	Fan Housing				

MISCELLANEOUS ASSEMBLIES/PARTS

FP266	Duct Kit
1016	2" Pleated Pre-Filter
1042	Filter, carbon
1021A	Label

NOTE: items in kits not sold separately

SERVPRO®

#892 AIR SCRUBBER

120V

SPECIFICATIONS:

Hepa Filter:	DOP Certified 99.97
Blower:	Two speed 1400/2200 CFM
Blower Motor:	1-3/4 hp, 14 amp peak
Weight:	130 lbs.
Dimensions:	51L x 15-1/4W x 19-1/2H inches
Warranty:	1 year limited - parts
Warranty on Body:	Lifetime
Transport:	8 Inch transport wheel w/dolly design

NOTES: