

# 56113108 HOUR METER 120/240 KIT

PEX Models: ALL  
BEXT Pro / ET600 Models: ALL  
HYDRAPORT Models: ALL

## CONTENTS OF KIT

ITEM	PART NO.	QTY	DESCRIPTION
	56090089	1	Instruction Sheet
1	267	3	Screw-PHP-SS-6x1/2-SMS
2	423-120-240	1	Hour Meter 115/230 Volts

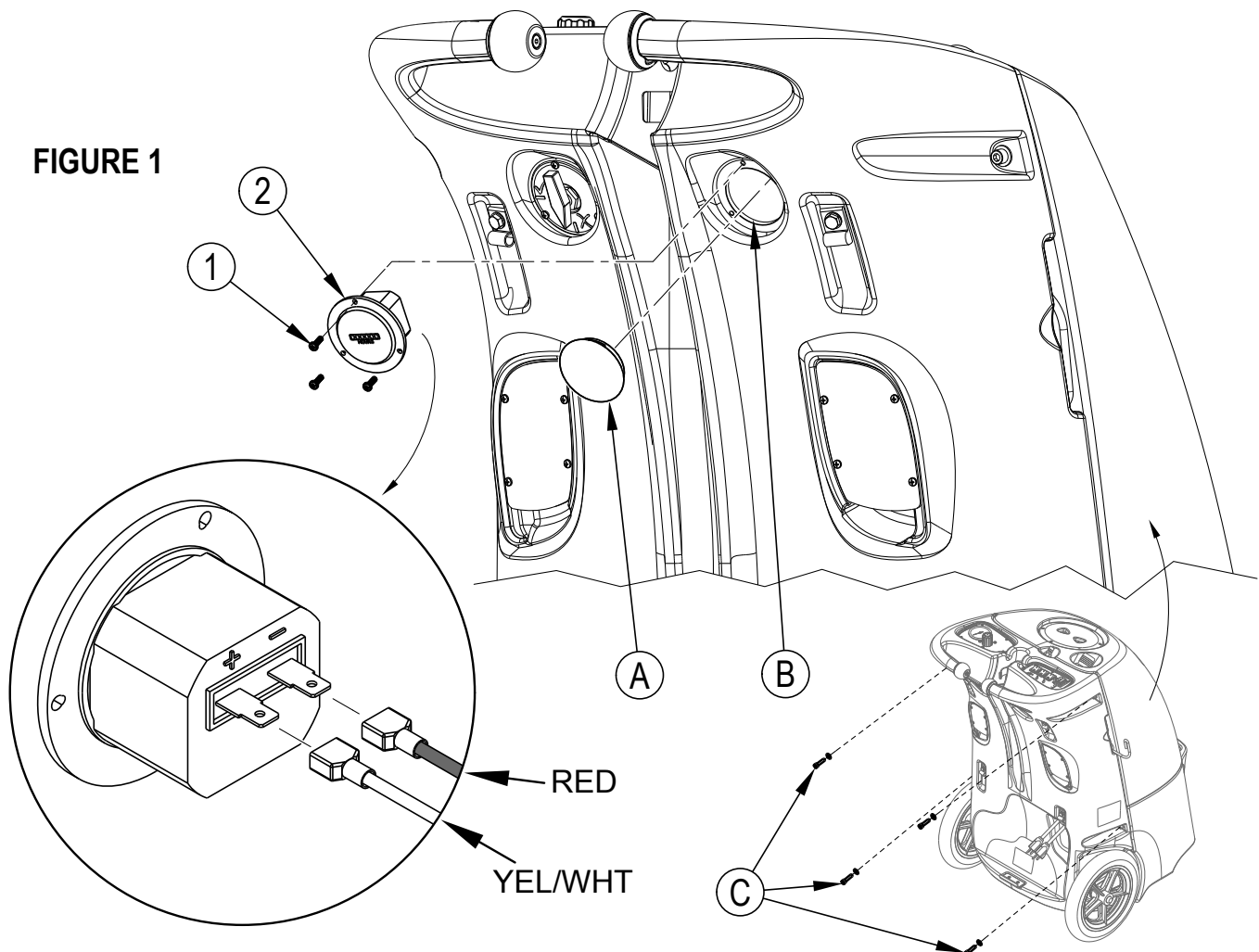
## PEX INSTALLATION INSTRUCTIONS



### WARNING!

UNPLUG MACHINE BEFORE SERVICING.

- 1 See Figure 1. Remove the Plug (A) from the back panel of the machine. The Opening (B) is where the hour meter will be installed.
- 2 Look through the opening inside the machine and locate the main wiring harness. Part of the main harness will be two wires that are currently not being used. One wire will be RED the other will be YEL/WHT. Find these two wires and pull the ends out through the opening. **NOTE:** If the two wires (RED & YEL/WHT) are not accessible through the opening; remove the four screws and washers (C) as shown below, then split the machine apart enough so that the wires can be located and fed through the opening. Close the machine and replace the hardware items (C).
- 3 Connect the two wires to the back of the hour meter. It does not matter which wire connects to each terminal.
- 4 Insert the Hour Meter (2) into the opening (B) and tuck the wires inside. Carefully center the hour meter in the opening and rotate it so that the display is horizontal. Secure the hour meter using the three supplied Screws (1). **NOTE:** No pilot holes are required simply drill the screws into the machine.
- 5 The hour meter will keep track of hours whenever the solution pump is running.



## ET600 / BEXT Pro & HYDRAPORT INSTALLATION INSTRUCTIONS

- 1 Empty the solution tank by using the vacuum hose to remove any solution in the tank. Drain the recovery tank.



### WARNING!

UNPLUG MACHINE BEFORE SERVICING.

- 2 See Figure 2. Unlatch the tanks from the base at Latch (D).
- 3 Tip the tanks back and prop them open. **NOTE:** The Vacuum Hose (E) and Solution Hoses (F & G) can be disconnected to allow the tanks to tip back completely and allow additional access.
- 4 Locate the Drill Point (H) on the right side base of the machine. Carefully use a hole saw to drill a 2" (5 cm) diameter hole at the drill point, being sure not to damage any components inside the base. Vacuum out any plastic shavings created by drilling the hole.
- 5 Locate the main wiring harness. Part of the main harness will be two wires that are currently not being used. One wire will be **Blue** the other will be **White**. Find these two wires and pull the ends out through the drilled 2" opening.
- 6 Connect the two wires to the back of the hour meter. It does not matter which wire connects to each terminal.
- 7 Insert the Hour Meter (2) into the opening and tuck the wires inside. Carefully center the hour meter in the opening and rotate it so that the display is horizontal. Secure the hour meter using the three supplied Screws (1). **NOTE:** No pilot holes are required simply drill the screws into the machine.
- 8 Reconnect the vacuum and solution hoses (if you chose to disconnect them) then close and latch the tanks.
- 9 The hour meter will keep track of hours whenever the solution pump is running.

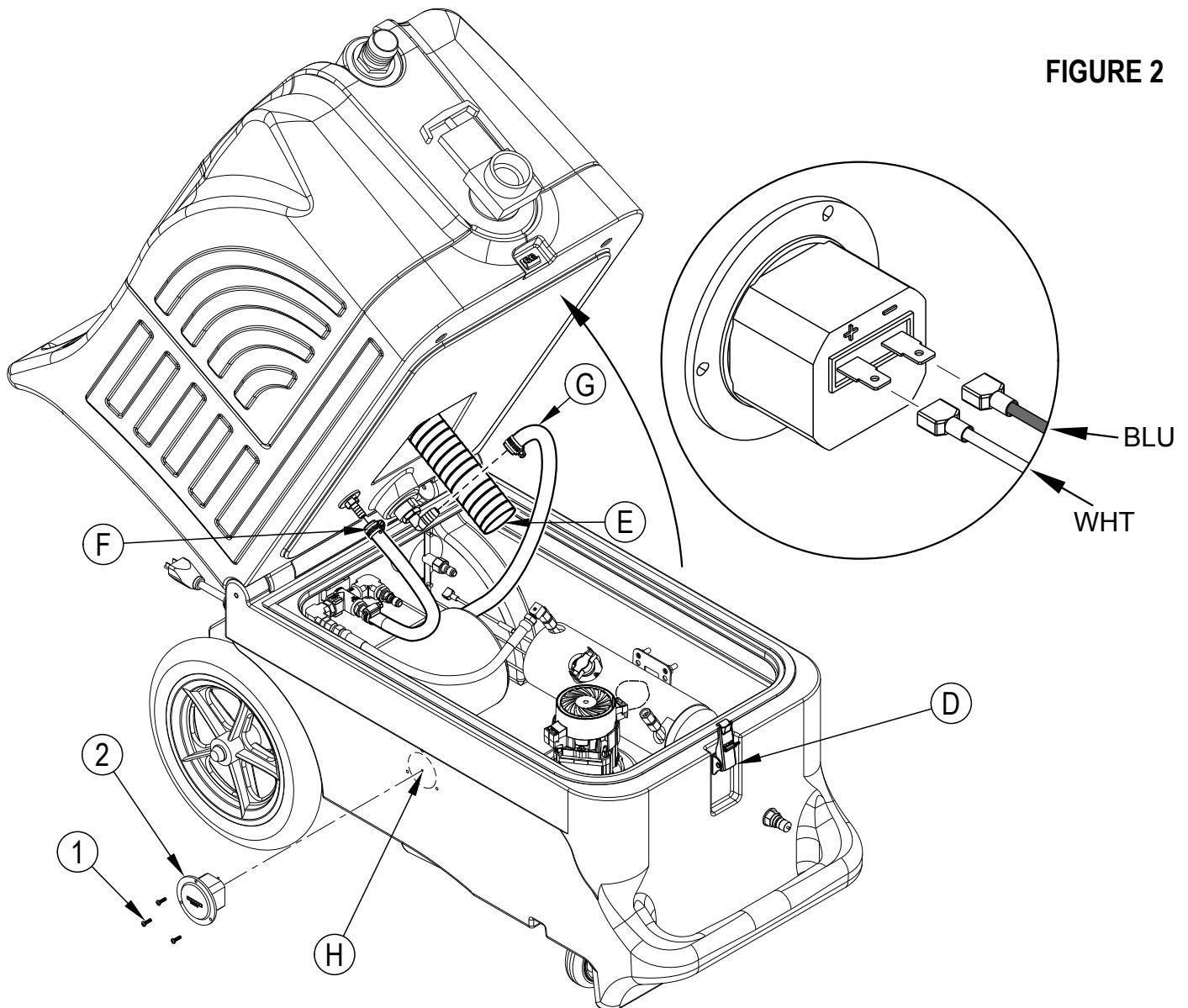


FIGURE 2

ET600 / BEXT Pro model shown, Hydraport uses same installation.