

HYDRAMASTER.
CORPORATION

Owner's Manual



 **driMASTER**®
Jetless Rotary Cleaning Technology

This page intentionally left blank



11015 47th Avenue W, Mukilteo, WA 98275



Rotary Extractor

<i><u>Table of Contents</u></i>	<i><u>Page</u></i>
<i>Introduction</i>	<i>4</i>
<i>Precautions</i>	<i>6</i>
<i>Machine Specifications</i>	<i>7</i>
<i>Spare Parts List</i>	<i>8</i>
<i>Responsibilities</i>	<i>9</i>
<i>System Operation</i>	<i>10</i>
<i>Cleaning Information</i>	<i>12</i>
<i>Assemblies & Parts</i>	<i>13</i>
<i>Machine Maintenance</i>	<i>25</i>
<i>Warranty</i>	<i>30</i>

Machine Serial Number _____

Copyright© 2005
HYDRAMASTER© Corporation
Mukilteo, Washington

MAN-182-073

*No part of this manual may be reproduced or used in any form or by any means (i.e. graphic, electronic, photocopying or electronic retrieval systems) without the express written permission of the **HYDRAMASTER**© Corporation. All rights reserved.*

Revised October 19, 2005

Introduction

****Congratulations****

You now own a piece of equipment that incorporates the latest innovations in carpet cleaning technology. The Rotary DriMaster features will almost certainly increase the productivity of you and your business. With competition as strong as it is in most communities, you have invested in not only a cleaning tool, but a marketing tool that will enhance your professional image in every way.

Your foresight in purchasing this patented jetless cleaning technology will be rewarded with the knowledge that you care enough to give your customer the maximum cleaning process available.

Once again, congratulations to another cleaning professional who will not wait for tomorrow, and will not have to compete against the Rotary DriMaster. The competition will have to try and compete with you!

An Evolution That Had To Happen

Your new Rotary DriMaster has been precision engineered to bring you to the state-of-the-art in carpet cleaning. In the past, a wand technician had to supply all the pressure and motion to do the cleaning. The Rotary DriMaster weight distribution and rotary motion enable the technician to maneuver the unit easily with less fatigue and without back strain. The low profile head allows the Rotary DriMaster to clean areas where conventional methods are unable to reach.

The Rotary DriMaster electric motor drives a reduction pulley, which in turn drives the rotary head assembly. Cleaning solution is injected through the center of the head assembly then channeled to the three patented solution injector bars. Soiled solution is then extracted from the carpet by the three cleaning heads and drawn through the clear plastic manifold to your cleaning system's recovery tank.

NOTE: The operating temperature and pressure of the cleaning solution as well as the vacuum power depends entirely on the type of cleaning system you use. The Rotary DriMaster will work efficiently with all types of extraction machines, portable or truckmount.

◆ CAUTION ◆

The manufacturer uses this symbol throughout the manual to warn of possible injury or death.

◆ WARNING ◆

This symbol is used to warn of possible equipment damage.

If you have any questions regarding the operation, maintenance, or repair of this machine. Please contact your local distributor. If your question cannot be resolved by your distributor or by the information within this manual, you may contact HydraMaster Customer Service direct using the following phone numbers.

Hours

Monday - Friday
8:00 am to 5:00 pm
PACIFIC STANDARD TIME

Telephone Numbers

(425) 775-7276 Parts
(425) 775-7275 Service

Precautions

◆ CAUTION ◆

MOVING PARTS: Never touch any part of the machine that is in motion. Severe bodily injury may result.

◆ WARNING ◆

ACID RINSE AGENTS: The increased demand for neutralizing rinse results in the need for special care when using these acid based chemicals in your equipment. The negative side of these products is the corrosive effects the acid can have on metals, including swivels, pumps, heat exchangers, etc.

HydraMaster's *ClearWater Rinse* has been formulated to protect vital components. HydraMaster will not warranty parts that have been damaged from using unprotected acid products that have obviously caused failures.

HARD WATER PROTECTION: Failure to take appropriate measures to prevent scale build up can result in **system failure** and **loss of warranty** on affected parts. Test the water in your immediate and surrounding areas with hard water test strips. Assume all water obtained from wells is hard. If you are operating in a Hard Water Area @ 3.5 grains or more per gallon, use a water softening system.

◆ WARNING ◆

FREEZE PROTECTION: There is often little warning before a cold spell. Therefore, not protecting this equipment from freezing will result in costly down-time. Placing an electric heater in the truck or parking the truck indoors will help to insure against freezing, but should not be the primary method of freeze protection.

◆ CAUTION ◆

HOT SURFACES: During the operation of this equipment, many surfaces on the machine can become very hot. When near high pressure hoses for any reason care must be taken not to touch any hot surface.

Machine Specifications

Length:	34"
Base Width:	13"
Height:	30"
Weight:	48 lbs
Motor:	115 V, 1/2 HP 1725 RPM Input 120 RPM Output
Drive System:	Belt Drive
Construction:	The lower and upper frame are cast aluminum, the cleaning head is machined aluminum and UHMW. The smoked cowlings are made from PolyCarbonate plastic and the clear plastic vacuum tube is made from PETG. Other parts are either metal or various plastic.

Spare Parts

Down-time on the unit can be very expensive, because your Rotary Drimaster unit is capable of generating several hundred dollars per day. In order to minimize such down-time, it is strongly recommended by the manufacturer that you purchase and keep in your truck the parts listed below.

Parts Orders

To expedite your parts needs, please call your Local Distributor. In most instances, he either stocks or has access to parts through a regional service center. If further assistance is needed, contact the factory and coordinate your needs. If this becomes necessary, always indicate the method of shipment you desire, i.e. UPS, Blue Label, Air Freight, Air Express, etc.

HydraMaster Parts Dept. Phone (425) 775-7276

RDM Spare Parts List

PART NO	DESCRIPTION	QTY
049-033	Filter, 1/4" Inline	1
052-051	Quick Connect, 440 Female	1
057-183	Gasket, Bar Jet	1
076-069	Jet, Rotary Bar S/S	1
078-019	Kit, Wand Valve Plunger	1
108-129	Protector, Bar Jet UHMW	3
154-135	Stabilizer Pad	3

Responsibilities

Upon arrival the unit should immediately be examined and operated to ensure that it was not damaged in transit.

Purchaser's Responsibility:

It is the purchaser's responsibility to **Read the Owner's Manual** and to familiarize yourself with the information contained therein. *Special attention should be paid to all **Cautions and Warnings**.*

Sales Representative's Responsibility:

Acceptance of Shipment

1. If the unit shows any outward signs of damage, do not sign the delivery receipt until you have closely inspected the unit and noted any damage on the delivery receipt.
2. The salesman from whom you purchased your unit is responsible for thoroughly training you in its operation, maintenance and precautions.

Training

- A thorough review of the operation manual with the purchaser.
- Instruction and familiarization in:
 - how to correctly operate the unit,
 - how to correctly clean with the unit,
 - where and how often to check filters, belts, etc.
 - how the unit's systems work, how to troubleshoot the unit,
 - how to do basic repairs, safety precautions and their importance,
 - freezing damage and how to avoid it,
 - hard water damage and how to avoid it.
- A thorough review of the unit warranty and warranty procedures.
- A thorough review of hard water precautions and warnings.

System Operation

Handle Adjustment:

To adjust the handle loosen the rubber knobs on each side of the machine. Tilt the handle to a comfortable height. Generally, the most comfortable position is with the arms fully extended when the machine head is flat on the floor in the cleaning position. (This is where the machine "hovers" directly in front of the operator and doesn't move to either side) Hold the handle in one hand at the desired height and tighten one of the knobs, this will keep the handle in position temporarily. Use both hands to secure both knobs.



Note: Most Technicians have found better control and less fatigue when the handle is in a low position just around the hip line. There is an ideal position for each person, it may be necessary for you to find what position is most comfortable.

Solution and Vacuum Hook ups:

Your Rotary DriMaster is equipped with a 440 male quick connect for the solution hose hookup and a 2" O.D. x 1 ½" I.D. vacuum hose connection. A solution hose with a 440 female quick connect is required. The vacuum inlet requires either a 2" hose or a 1 ½" hose.

Electrical Hook Up:

The Rotary DriMaster is equipped with a 50 foot extension cord. Attach the female end to the male pigtail in the upper handle and attach the other end to a 15 amp receptacle. When using a after-market extension cord it must be a 14/3 gauge or greater.

◆ CAUTION ◆

Use of a cord smaller than 14 gauge may cause the circuit breaker in the house to trip unnecessarily or damage the motor.

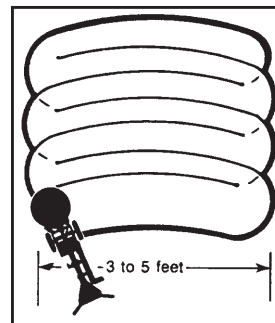
◆ CAUTION ◆

Do not, under any circumstances, remove the ground prong from your extension cord. Serious injury or death may result.

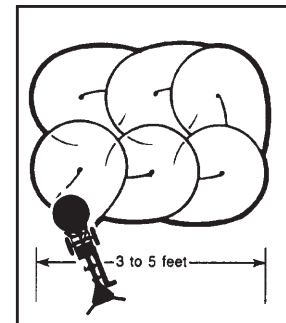
Operation instructions:

Control Functions: There are control triggers located on each side of the handle under the rubber hand grips. As you operate the Rotary DriMaster, the trigger on the right-hand side controls the electric motor that drives the cleaning heads. On the left hand side, the trigger controls the high pressure solution spray. The air flows constantly while the Rotary DriMaster is in operation.

Proper Cleaning Technique: The Rotary DriMaster Tool was designed to be a low moisture extraction tool. When used properly, drying times of 1-3 hours can be expected, without a second dry pass. The key to achieving these results is maintaining the correct speed of the tool. This will vary depending on the type of carpet being cleaned.



Arc



Circular

Maneuvering Your Rotary DriMaster: Your Rotary DriMaster maneuvers like a rotary floor machine. To move the Rotary DriMaster to the right, lift the handle slightly and to move to the left lower the handle slightly. The more you lift or lower the handle, the faster the Rotary DriMaster will move. To move forward and backward, position the handle so that the unit remains a stationary, then push forward or pull back.

◆ WARNING ◆

Do not operate your Rotary DriMaster on dry carpets, the friction generated by the revolving cleaning heads may damage fibers in the carpet. Once you have become familiar with the speed and movement of the machine, practice making it hover in one spot. (The hovering maneuver is useful for removing stubborn stains, as well as removing furniture indentations.) Do not tilt machine sideways while moving forward and backward. A loss of control may result in damage to the unit or surrounding objects.

Cleaning Information

The Following Cautions Should Be Observed While Cleaning:

1. DO NOT operate your Rotary DriMaster over metal floor moldings. Damage to both the molding and the cleaning head will result.
2. DO NOT operate your Rotary DriMaster on hardwood floors.
3. DO NOT operate your Rotary DriMaster over loose or unraveled carpet seams. The cleaning head may catch and cause further damage.
4. DO NOT operate your Rotary DriMaster on concrete floors. It will develop sharp edges on the extraction heads that will damage carpet fibers.
5. DO NOT clean over the edge of a loose carpet. Instead, clean only up to the edge. Damage may occur should the extraction heads catch the loose carpet.

Special Information

1. During the cleaning of some plush carpets you may notice a "pilling" effect. With a Rotary DriMaster, loose yarns form balls and are kicked aside as the cleaning heads revolve. This is normal when aggressive cleaning or even normal vacuuming takes place, as evidenced by a number of dead, loose yarns in the vacuum cleaner bag. These loose yarns, in most cases, are short staple yarns or filler yarns used to give the carpet a denser appearance. Because your Rotary DriMaster weighs approximately 46 pounds and rests on three two-inch cleaning heads, the yarns are not sucked up into the vacuum heads as they are with a vacuum cleaner or old-style cleaning wand.
2. The Rotary DriMaster will leave the carpet with a freshly-cleaned appearance. The carpet should be brushed or groomed after the cleaning process to remove any swirl marks left behind.

Assemblies & Parts

Figure 1 Machine Assembly - w/o Covers

D-5071 Rev C

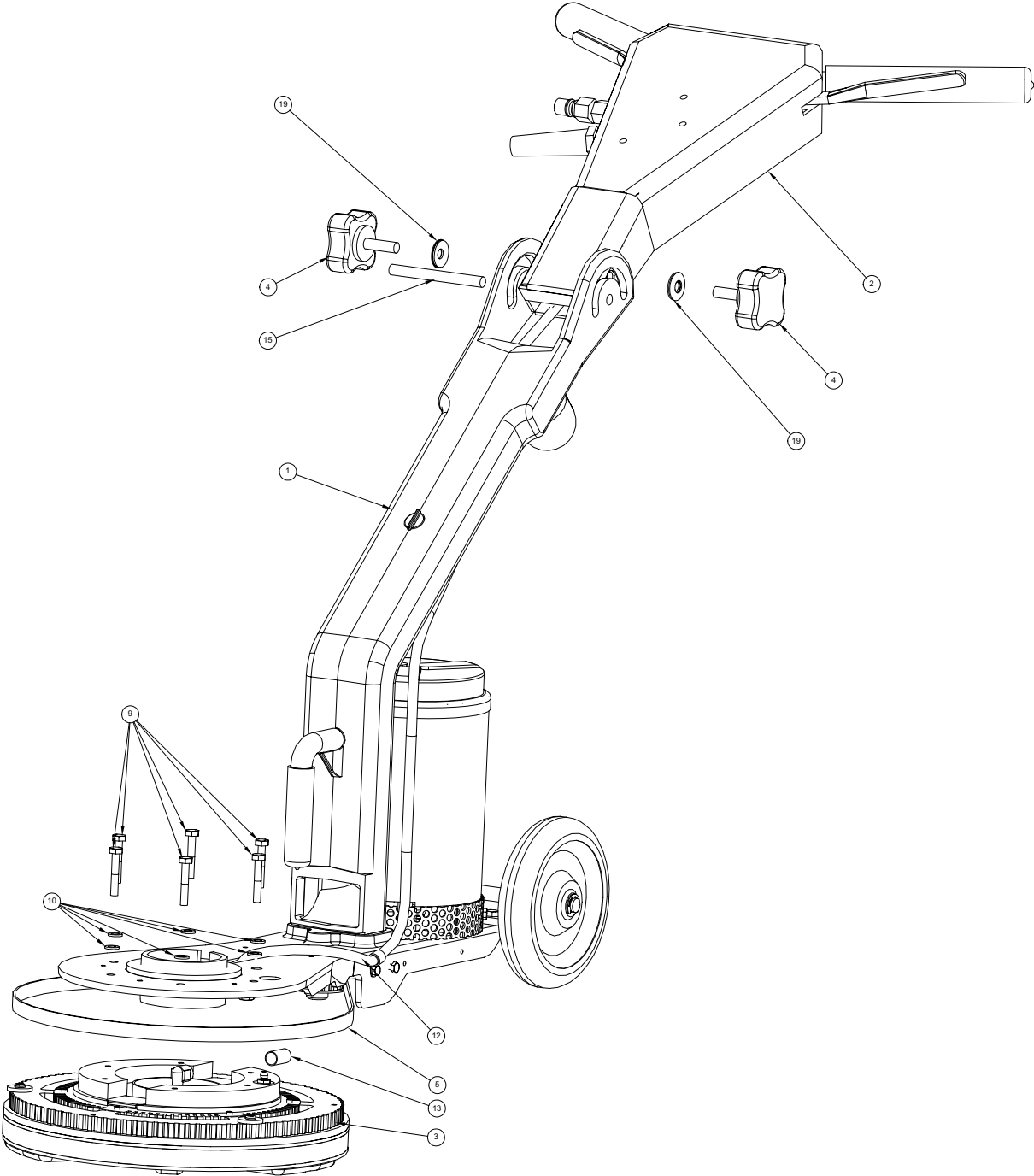
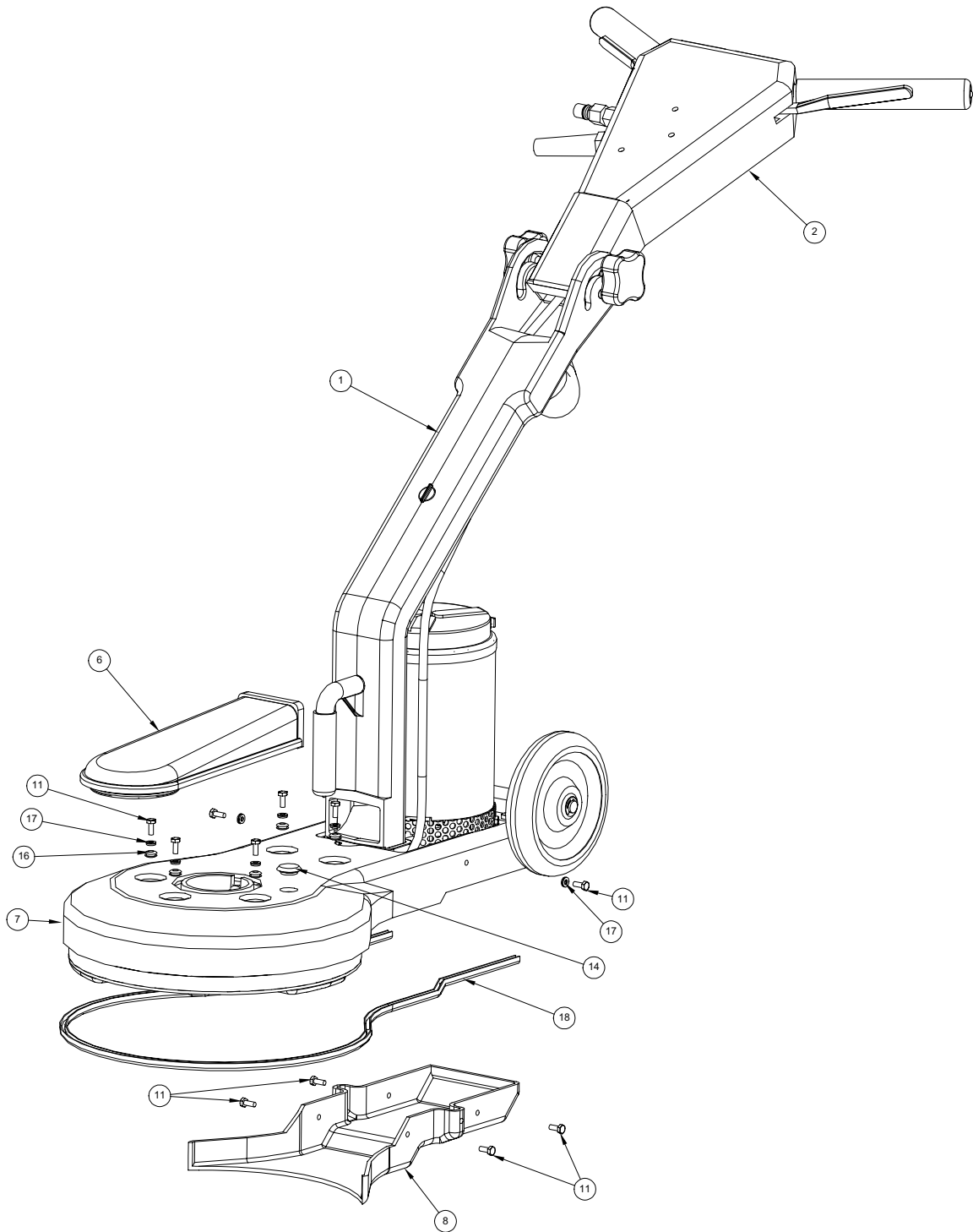


Figure 2 Machine Assembly - w/ Covers
D-5071 Rev C



Machine Assembly Parts List

Item	Part Number	Description	Qty
1	Fig. 3 & 4	Assembly, Base - Lower Handle - RDM	1
2	Fig. 5	Assembly, Upper Handle - RDM	1
3	000-078-376	Assembly, Complete Head - RDM	1
4	000-061-131	Knob, Handle - RDM	2
5	000-010-117	Belt, Timing Large - RDM	1
6	000-041-434	Clear Vacuum Tube - Complete - RDM	1
7	000-041-414	Cowling, Top - RDM	1
8	000-041-412	Cowling, Bottom - RDM	1
9	000-143-004	Screw, 1/4"-20UNC x 1.50" Lg. Hex Head	6
10	000-174-003	Washer, 1/4" Flat	6
11	000-143-126	Screw, #10-24UNC x 0.50" Lg. Hex Head	11
12	000-068-650	Hose, 3/16" x 51.25" Lg. Teflon	1
13	000-057-191	Gasket, Teflon Hose - RDM	1
14	000-027-108	Cap, Grease Port - RDM	1
15	000-141-035	Rod, Handle Hinge - RDM	1
16	000-060-001	Grommet, Small Wiring	5
17	000-174-036	Washer, #10 Flat Rubber Backed	7
18	000-131-030	Trimlock, RDM	1
19	000-174-065	Washer, 0.434 I.D. x 1.00" O.D. Rubber Backed	2

Figure 3 Base - Lower Handle Assembly -Top View
D-5505 Rev C

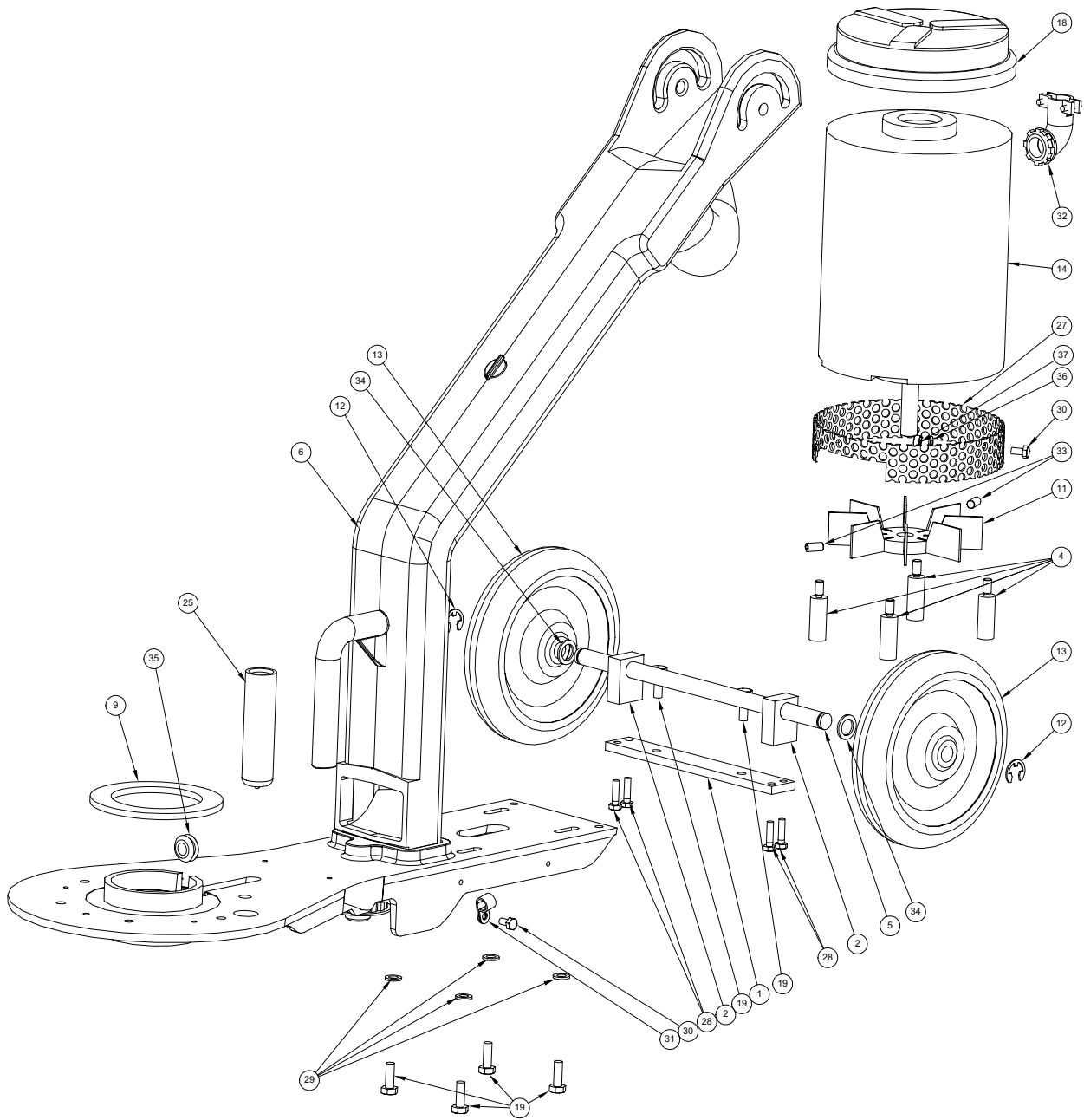
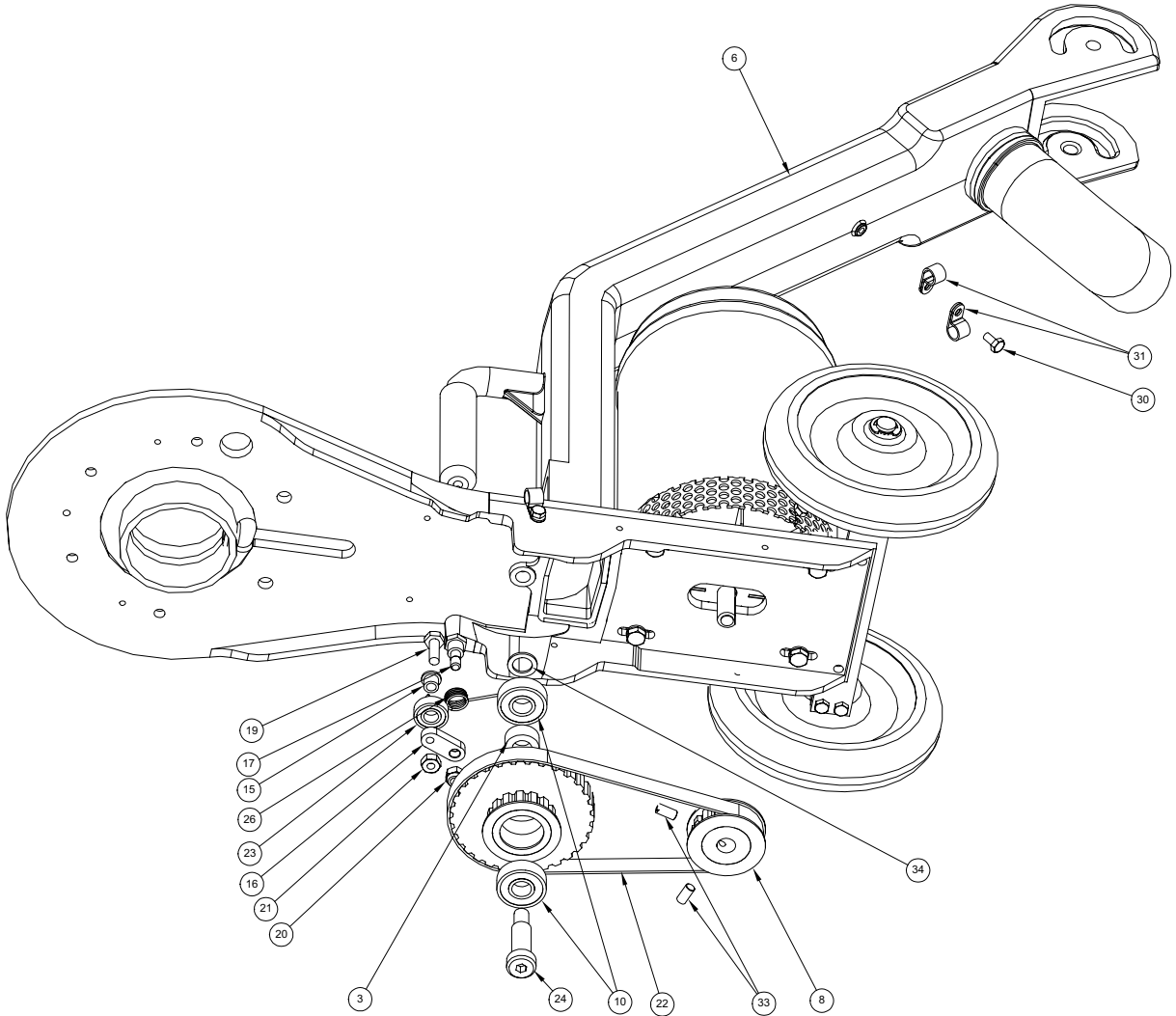


Figure 4 Base - Lower Handle Assembly - Bottom View
D-5505 Rev C



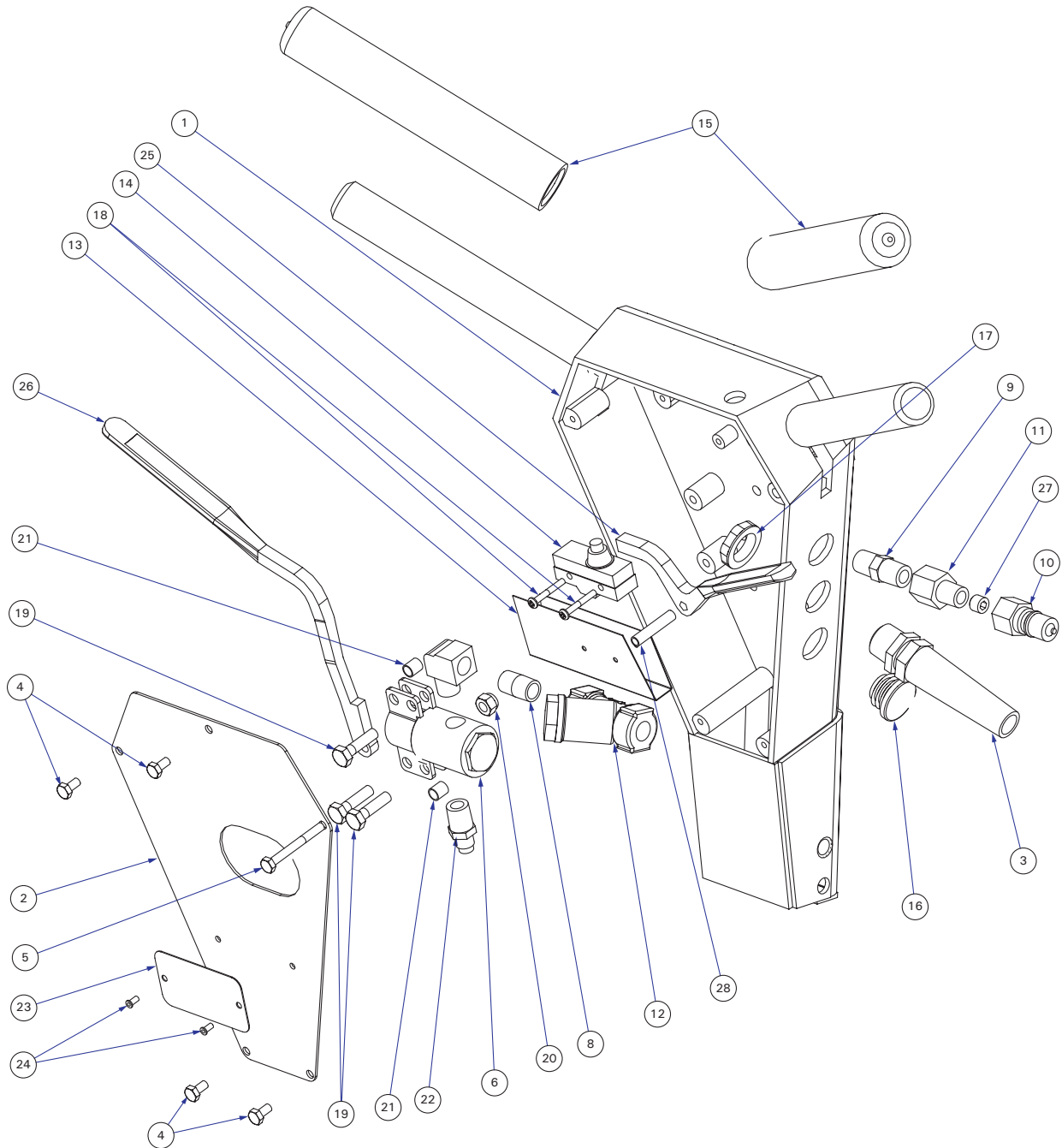
Base - Lower Handle Assembly Parts List

Item	Part Number	Description	Qty
1	000-015-785	Bracket, Axle Cross Tie - RDM	1
2	000-015-784	Bracket, Axle Support - RDM	2
3	000-154-116	Spacer, Pulley Bearing Seperator - RDM	1
4	000-156-039	Stud, Standoff M-F 1-5/16" x 1/4"-20UNC	4
5	000-141-034	Axle, Rear Wheel - RDM	1
6	000-055-156	Frame, Base - Lower Handle - RDM	1
7	000-059-020	Gear, Reduction - RDM	1
8	000-059-021	Gear, Motor - RDM	1
9	000-057-053	Gasket, 4" O.D. x 2.75" I.D. x 0.375" Thk.	1
10	000-008-050	Bearing, Reduction Gear - RDM	2
11	000-050-014	Fan, Motor - RDM	1
12	000-139-009	Ring, Snap Ring (E-Clip) x 1/2"	2
13	000-177-027	Wheel, 6" x 1.25" Wide Gray Non Marking	2
14	000-091-029	Motor, G.E. 1/2 HP - RDM - Modified	1
15	000-020-056	Bushing, Idler - Modified	1
16	000-015-875	Arm, Spring Tensioner - Rotary Drimaster	1
17	000-150-160	Shaft, Spring Tension Idler - Rotary Drimaster	1
18	000-041-405	Cover, Motor - RDM	1
19	000-143-001	Screw, 1/4"-20UNC x 0.75" Lg. Hex Head	7
20	000-094-009	Nut, 1/4"-20UNC Hex Nylock	1
21	000-094-010	Nut, 1/4"-20UNC Hex	1
22	000-010-116	Belt, Timing Small - Rotary Drimaster	1
23	000-008-047	Bearing, Idler Tensioner - Rotary Drimaster	1
24	000-143-553	Screw, 3/8"-16UNC Shoulder	1
25	000-061-005	Handle, Foam Grip - Closed End 0.75" I.D. x 3.5" Lg.	1
26	000-155-055	Spring, Torsion Idler - Rotary Drimaster	1
27	000-108-130	Protector, Motor Fan - Rotary Drimaster	1
28	000-143-132	Screw, #10-24UNC x 0.75" Lg. Hex Head	4
29	000-174-003	Washer, 1/4" Flat	4
30	000-143-166	Screw, #10-24UNC x 0.38" Lg. Hex Head	3

Base - Lower Handle Assembly Parts List

<i>Item</i>	<i>Part Number</i>	<i>Description</i>	<i>Qty</i>
31	000-033-128	Clamp, 3/8" Nylon Hose	3
32	000-108-018	Protector, 3/8" Tite Bite- 90°	1
33	000-143-339	Screw, 1/4"20UNC x 0.50" Lg. Set Z/P	4
34	000-174-064	Washer, Thrust 1/2"	3
35	000-060-007	Grommet, 3/8" I.D.	1
36	000-174-001	Washer, #10 Flat	1
37	000-094-027	Nut, #10-24UNC Hex	1

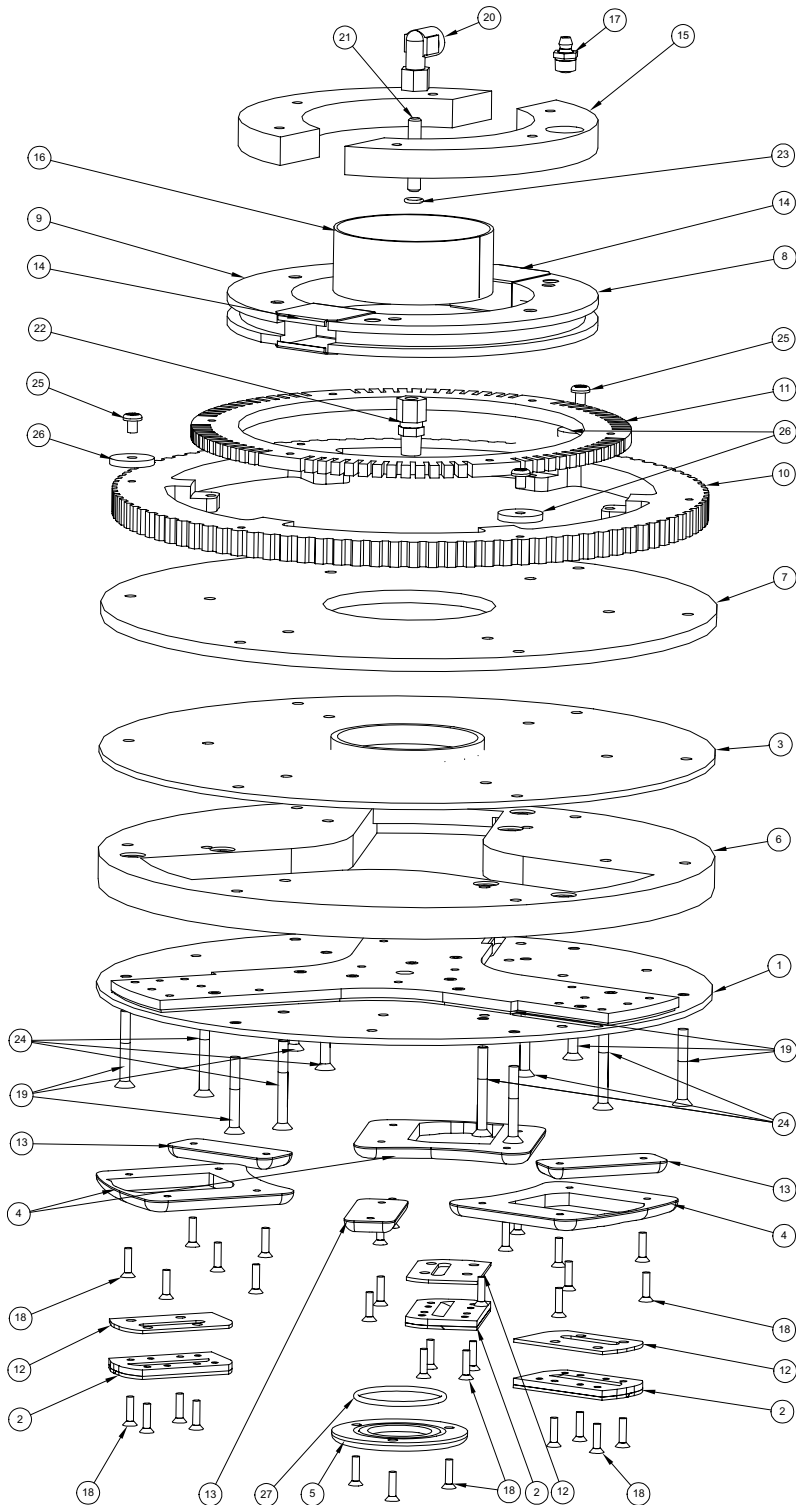
Figure 5 Upper Handle Assembly
D-5506 Rev -



Upper Handle Assembly Parts List

Item	Part Number	Description	Qty
1	000-055-163	Frame, Upper Handle - Painted - RDM	1
2	000-041-013	Plate, Back - RX Handle - Painted	1
3	000-108-012	Protector, Power Cord Relief Grip	1
4	000-143-166	Screw, #10-24UNC x 0.38" Lg. Hex Head	4
5	000-143-065	Screw, #10-24UNC x 1.75" Lg. Hex Head	1
6	000-169-058	Valve, S/S HydraMaster Solution	1
7	000-052-085	Elbow, 1/4" NPT Street	1
8	000-052-072	Nipple, 1/8" NPT Close	1
9	000-052-071	Nipple, 1/4" NPT Hex	1
10	000-052-050	Quick Connect, 440 Male w/ Viton Standard	1
11	000-052-423	Bushing, Modified Set Screw Orifice	1
12	000-049-033	Filter, 1/4" In-Line "Y"	1
13	000-108-014	Shield, Micro-Switch - RX	1
14	000-157-032	Switch, Micro - RX	1
15	000-061-004	Handle, Foam Grip - Closed End 1" I.D.	2
16	000-106-026	Plug, 1" Cap - Rx Handle	1
17	000-094-036	Nut, 1/2" NPT Pipe	1
18	000-143-048	Screw, #6-32UNC x 1.00" Lg. Pan Head	2
19	000-143-002	Screw, 1/4"-20UNC x 1.00" Lg. Hex Head	3
20	000-094-009	Nut, 1/4"-20UNC Hex Nylock	1
21	000-154-001	Spacer, 1/4" x 5/16" - S/S Solution Valve - Wand	2
22	000-052-527	Nipple, 1/4" SAE x 1/4" NPT	1
23	000-105-018	Plate, Serial I.D. RX-20	1
24	000-140-001	Rivet, 1/8" x 1/4" Aluminum	2
25	000-167-010	Trigger, Power - RX-20	1
26	000-167-009	Trigger, Chemical Solution Valve - RX-20	1
27	000-180-006	Orifice, Set Screw 0.061"	1
28	000-107-103	Trigger Pivot - RX	1

Figure 6 Complete Head Assembly
D-5507 Rev D



Complete Head Assembly Parts List

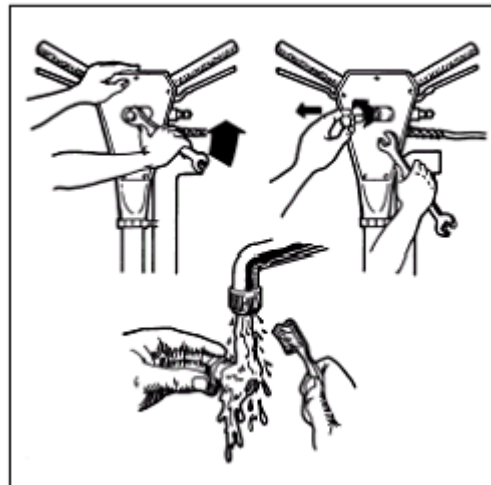
Item	Part Number	Description	Qty
1	000-105-311	Plate, Bottom Assembly - RDM	1
2	000-076-069	Jet, Bar Jet Assembly - RDM	3
3	000-105-309	Plate, Top Plate Assembly - RDM	1
4	000-108-129	Protector, Bar Jet	3
5	000-041-410	Cover, Water Channel	1
6	000-154-133	Spacer, Triangle Water Channel	1
7	000-105-310	Plate, Head Assembly	1
8	000-008-051	Bearing, Teflon - Left	1
9	000-008-052	Bearing, Teflon - Right	1
10	000-059-022	Gear, 98 Tooth	1
11	000-139-028	Bearing, Vented Ring - Molycoated - RDM	1
12	000-057-183	Gasket, Bar Jet - RDM	3
13	000-154-135	Spacer, Stabilizer Pad	3
14	000-015-876	Bracket, Grease Retainer - RDM	2
15	000-154-140	Spacer, Friction Bearing - RDM	1
16	000-147-064	Seal, 3" I.D. x 1.25" Wide Nylon Vacuum	1
17	000-052-505	Zerk Fitting, 1/8" MPT Grease Fitting-Straight	1
18	000-143-559	Screw, #6-32UNC x 0.56" Lg. Flat Hd Philipps	33
19	000-143-113	Screw, #10-24UNC x 1 1/2" Lg. Flat Hd Philipps	6
20	000-052-719	Elbow, 1/8" NPT x 1/4" Compression Tube	1
21	000-125-176	Tube, 1/4" O.D. x 0.035" Wall x 1.44" Lg. S/S - RDM	1
22	000-052-714	Compression, 1/8" NPT x 1/4" Tube	1
23	000-097-066	O-Ring, 1/16" Thk. x 3/8" O.D.	1
24	000-143-561	Screw, #10-24UNC x 1.75" Lg. Flat Head Phillips	6
25	000-143-533	Screw, #10-24UNC x 0.25" Lg. Pan Head Phillips	3
26	000-174-103	Washer, Ø0.188" I.D. x Ø0.875" O.D. x 0.125" Thk.	3
27	000-097-067	O-Ring, 1.818 O.D. x 1.612 I.D. Water Resivoir Cover	1

This page intentionally left blank

Machine Maintenance

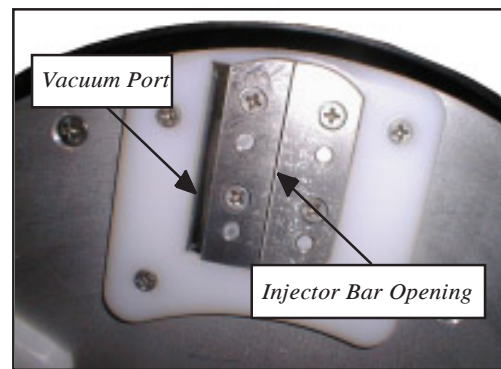
Daily Maintenance

1. Inspect the power cord for cuts, breaks, etc. Replace if damaged.
2. Inspect the vacuum chamber on and around the rotary union for debris, clean as necessary.
3. Visually inspect your Rotary DriMaster for water leaks, damage to the cleaning heads, etc. Repair as necessary.



4. Remove the in-line solution filter screen by unscrewing the 7/8 inch hex nut protruding from the back of the handle. Rinse under water to remove debris. If necessary, use a toothbrush to remove stubborn particles.

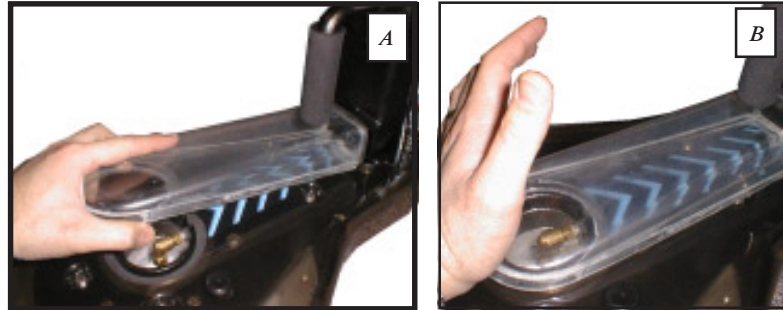
5. Check the injector bars for clogs. You may notice that the water is not even when spraying. These jets are designed to work with the vacuum. When vacuum is applied to the machine you should notice the water coming out of the injector bars and returning into the vacuum port. This is how the DriMaster technology decreases drying times and keeps the carpet from wicking.



To clean the jets you can use a 0.005" feeler gauge. Insert the gauge into the injector bar opening and slide it gently side to side.

If it is clogged severely you can remove the four mounting screws and remove it from the head. Rinse the assembly and reinstall. Replace the gasket as necessary.

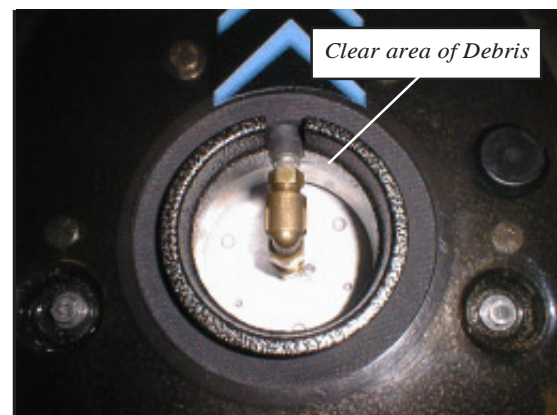
6. To remove the clear vacuum tube lift the front or round part of the tube. To reinstall the cover (A) first insert the rectangular end into the the opening on the frame, then (B) press the "round" end down onto the frame. This should fit firmly



into place, it may be necessary to tap the top of the cover so that it seats properly.

7. Inspect the vacuum chamber where the rotary union is located. Be sure that it is clear of debris and build up.

Tip: Here's an easy way to clean the head of the vacuum chambers after you are done with your job. Set the machine so that the head is off the ground; turn off the chemical system on your machine and spray clean water for approximately one minute. This will flush the majority of debris from the machine. It may be necessary to remove fibers or other items that may wrap around the rotary union by hand.



◆ **WARNING** ◆

Do not over tighten the compression fitting on the rotary union. The compression fitting in the bottom plate should only be finger tight.

Use caution when inserting the rotary union, push slowly while rocking back and forth.

Periodic Maintenance

Lubricating the main bearings: It is necessary to grease the bearing: Grease with one-quarter to one-half pump to eliminate/reduce noise.

◆ **WARNING** ◆

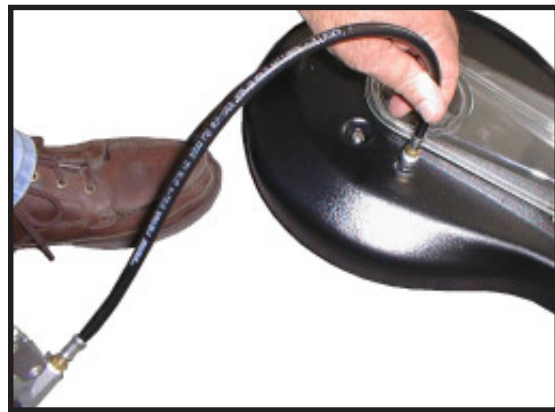
USE (BROWN) LITHIUM BASE GREASE ONLY! Use of a Moly base or a Clay base grease may cause damage to the bearing system and void your warranty. Lithium based greases are typically a translucent brown color with a butter consistency. **NEVER** use a grease that it is not properly identified. **NEVER** use a grease that is Black, White, or Blue in appearance. **NEVER** use spray lubricants (e.g. WD-40). **MULTIPLE PUMPS OF GREASE CAN LEAD TO THE UNIT SPITTING GREASE ONTO THE CARPET.**

Recommended Grease:

Stalube Lithium General Purpose Grease
Stalube P/N SL3310
Available at most auto parts stores.

To grease:

1. Tilt the machine so that the head is off the carpet.
2. Remove the cap located on the main cover next to the clear vacuum tube.
3. Attach the grease gun to the grease zerk. While the the head is turning, slowly pump one-quarter to one-half pump of lithium grease.

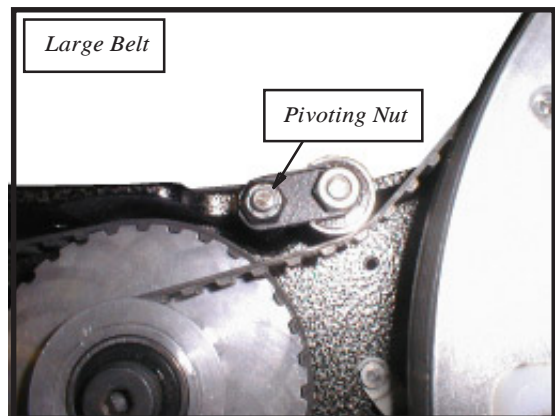


Belt tension and wear: The belts should be checked every 300 hours or every 6 months for proper tension and excessive wear.

If excessive wear is detected the belts should be replaced immediately.

The spring-loaded tensioner controls the tensioning on the large belt. While it is not necessary to adjust the belt tension the bearing, idler arm, and idler shaft need to be inspected for excessive wear to ensure proper tension.

Idler Arm Position: The idler arm should be parallel with the side of the frame.



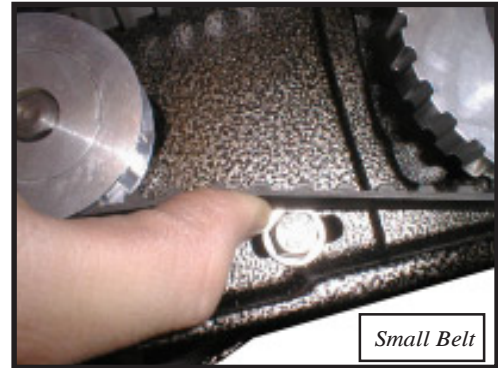
◆ CAUTION ◆

Do not overtighten the pivoting nut on the idler arm. The idler arm must be able to move for proper adjustment.

To Remove the Belt: unplug the machine. Push the idler away from the belt. Remove the belt from the head then from the reduction pulley.

Note: In certain cases it is possible for the belt to come off if the head is turned backwards.

The tension on the smaller belt should be tensioned so that it is "taught". This belt should feel firm and you should see about 3/8" deflection when pressing on it. To adjust; remove the top and bottom cover, loosen the four motor bolts, gently pry the motor back, and retighten the bolts.



◆ WARNING ◆

Tighten the bolts on the motor to 6 ft lbs of torque. Overtightening may cause the threads to strip.

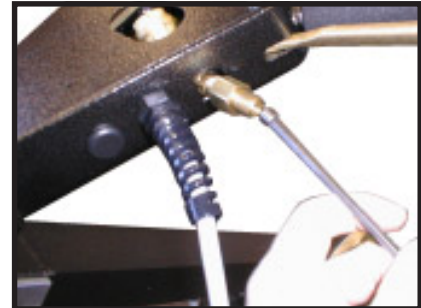
Injector Bars and Head assembly: The bottom part of the head should be visually inspected for sharp edges or excessive wear that may damage carpet. If any damage is found the part should be replaced immediately.

Cleaning the Orifice

Jet: There is an orifice located on the upper handle, inline with the male quick connect.

This must be cleaned once a month or as necessary. To clean,

remove the male quick connect from the orifice housing, then remove the orifice using a 3/16" Allen wrench. **Tip:** Use a small paper clip to clear any debris from the opening.



Note: If you are noticing a significant drop in the temperature of your machine you can use a smaller orifice jet. It is recommended to use part no. 180-018 orifice. The optional orifice is sent with all new machines or available from HydraMaster.

Freeze Warning and Protection

Your Rotary DriMaster can sustain damage from freezing, as can any equipment that functions with the use of water. Care must be taken to protect this tool from freezing as you do your other equipment. To protect it from freezing, simply blow compressed air through the solution quick connect with the valve open. This will blow all water from the valve, solution line, rotary union and injector bars.

Warranty

All components not specifically referenced in the schedule below are covered under this warranty for a period of one (1) year, excepting those parts which are considered, by HydraMaster, to be expendable in normal use, including but not limited to paint, labels and other cosmetic parts or features.

Freezing of any water or chemical related component will VOID all warranties on water or chemical related components, internal or external, of this equipment. Deposits and buildup in the water or chemical systems due to hardness in the water used or chemicals which results in deposits, will VOID all warranties on affected components.

All recommended maintenance must be performed by competent service personnel.

Records of periodic maintenance must be kept and copies may be required to be furnished to HydraMaster before this warranty is honored.

Coverage Schedule

Frame, Handle3 years
Motor 1 year
Valves, Filters, Hoses,
Belts, Pulleys, Power Cords,
Injector Bar, Head Assembly.. 1 year

For service, contact the distributor where the machine was purchased.